

SEATING SYSTEMS



A Phoenix Mecano Brand



- GLOBAL LEADER OF SEATING ACTUATOR SYSTEMS
- DESIGNED AND ENGINEERED IN GERMANY
- PRODUCTS MANUFACTURED IN EUROPE
- INNOVATIVE ACTUATORS, CONTROL UNITS AND ACCESSORIES

SYSTEM SOLUTIONS FOR SEATING APPLICATIONS

OKIN PRODUCT OVERVIEW

Adjustable armchairs with motorized back and foot sections are currently quite popular: Reclining television armchairs and other reclining seating are expected to be very comfortable. Stand-up chairs, which are particularly relevant for seniors, have a motorized adjustable stand-up assistance feature, which helps to promote mobility. Modern motorized armchairs are being configured with more special features, such as Bluetooth or memory functionality, that provide real benefits for their users.

OKIN is a specialist in actuator and system technology for motorized armchairs, with more than 20 years of experience in the seating industry. We not only manufacture components such as actuators, control units and control keypads, but also design and implement tailor-made customized projects. In the joint planning phase, we custom-design the entire system and program the required functional sequences to match the customer's requirements. Our customers also benefit from our speedy delivery times and global sales network that is able to help them with any service issues.

Compact actuators for adjustable armchairs

The elegant design of many modern adjustable armchairs leaves little room for electrical components. That is why OKIN actuators have a very compact construction. With their minimal

installation dimensions, they enable a large lifting stroke even in confined spaces. The actuators operate with a pushing force of up to 6,000 N compressive force – thus, despite their compact design, they are suitable for a wide range of applications and heavy-duty tasks. They also feature outstanding reliability and a gentle adjustment mechanism for the height, back or foot section.

Control units and control keypads: a wide range of functions for adjustable armchairs

Intelligent control units are essential for implementing customized motion profiles and extended functionality. The HE150 control unit is capable of connecting with up to four OKIN actuators, a massage function and two built-in floor lights. The patented brush-sparking evaluation function makes it possible to save customized memory positions for OKIN actuators without Hall sensors. The built-in bi-directional 2.4 GHz radio control enables wireless operations for all functions thanks to our patented, interference-free wireless transmissions. We have a wide selection of matching wireless hand-held transmitters for adjustable armchairs and many optional components (USB chargers, etc.).

The HE150 and many other OKIN control units have built-in Bluetooth so that the motorized armchairs can be operated using mobile devices.

1. Single actuators for seating applications



2. Chair Controls for all single actuators



3. Handsets wired and wireless for OKIN RF-control units



4. OKIN apps for mobile control



5. Controls units for seating applications



6. Power Supply



ALPHADRIVE 3

FOR RECLINER CHAIRS

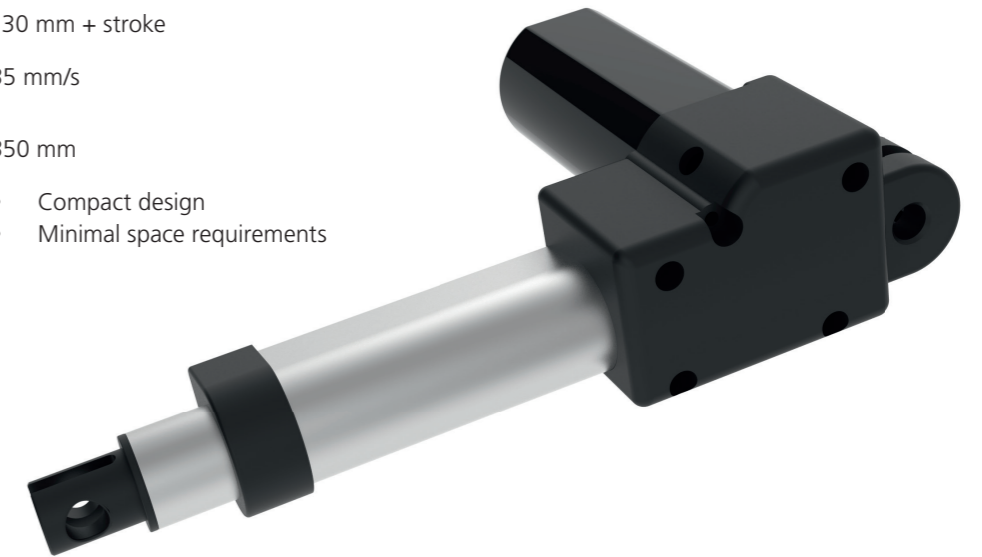
Load capacity (max.)	3,000 N
Motor voltage	Maintenance-free 24 V DC motors
Fitting dimensions (min.)	141 mm + stroke
Adjustment speed (max., unloaded)	30 mm/s
Stroke length (max.)	350 mm
Features	<ul style="list-style-type: none">Extremely small motor housingAdjustable gear clevis (45°, 90°, 135°)



MICRODRIVE 2

FOR RECLINER CHAIRS

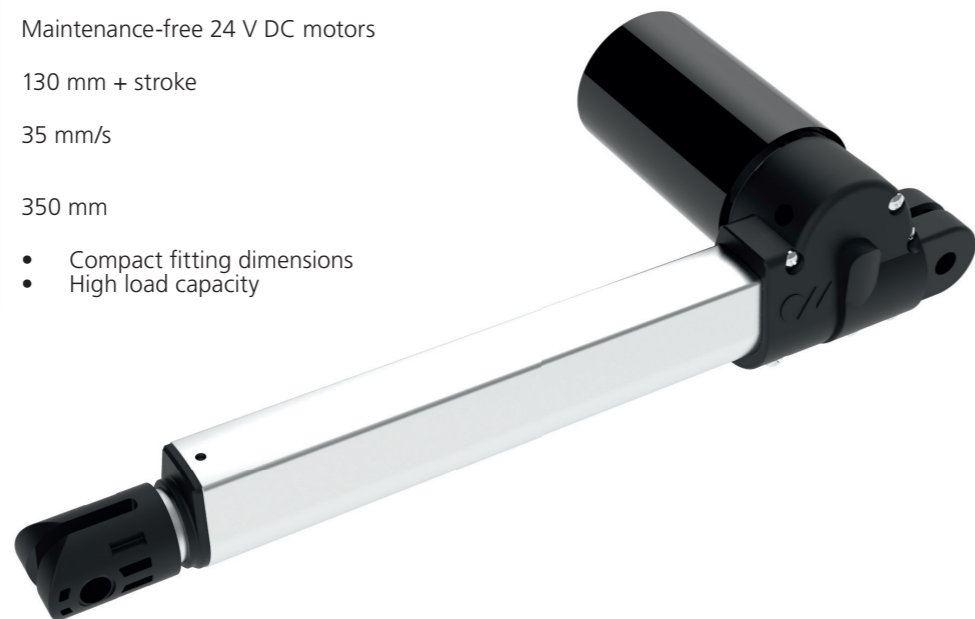
Load capacity (max.)	3,000 N
Motor voltage	Maintenance-free 24 V DC motors
Fitting dimensions (min.)	130 mm + stroke
Adjustment speed (max., unloaded)	35 mm/s
Stroke length (max.)	350 mm
Features	<ul style="list-style-type: none">Compact designMinimal space requirements



ALPHADRIVE 5

FOR LIFTER CHAIRS

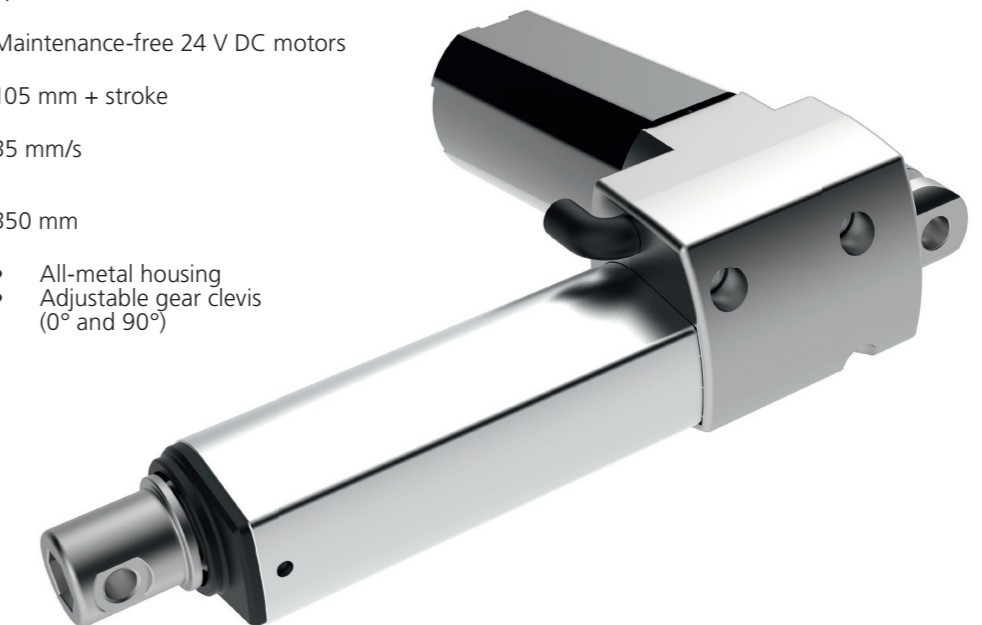
Load capacity (max.)	6,000 N
Motor voltage	Maintenance-free 24 V DC motors
Fitting dimensions (min.)	130 mm + stroke
Adjustment speed (max., unloaded)	35 mm/s
Stroke length (max.)	350 mm
Features	<ul style="list-style-type: none">Compact fitting dimensionsHigh load capacity



MICRODRIVE 3

FOR RECLINER CHAIRS

Load capacity (max.)	4,000 N
Motor voltage	Maintenance-free 24 V DC motors
Fitting dimensions (min.)	105 mm + stroke
Adjustment speed (max., unloaded)	35 mm/s
Stroke length (max.)	350 mm
Features	<ul style="list-style-type: none">All-metal housingAdjustable gear clevis (0° and 90°)



ECO BETADRIVE

FOR RECLINER CHAIRS

Our OKIN Eco Betadrive provides chair manufacturers with a single actuator featuring very high adjustment speed of over 40 mm/sec. This enables users of motor-adjustable armchairs to comfortably reach their desired sitting position as quickly as possible. Manufacturers of comfort armchairs also benefit from the low weight of the single actuator, which reduces the overall weight of their end products, making installation much easier. Another special feature of the Eco Betadrive is its ability to connect directly to different control keypads, so there is no need for a controller.

Load capacity (max.)	1.500 N
Motor voltage	Maintenance-free 24 V DC motors
Fitting dimensions (min.)	156 mm
Adjustment speed (max., unloaded)	44 mm/s
Stroke length (max.)	500 mm
Features	<ul style="list-style-type: none">• High-adjustment speed• Low weight



HANDSETS – WIRED

FOR ALL SEATING ACTUATORS

Tried and tested easy-to-use handsets with a wired connection. OKIN wired handsets have a robust housing and are designed for high reliability and precise inputs. Equipped with a reset function, the opline handsets can be used for controlling both movements at the same time. Furthermore, both handsets are equipped with a hook on the back side.



Control Unit	Direct control
Color	Black
Buttons	2 - 6
No. of actuators	For 1 or 2 actuators incl. reset function
Protection type	IP20

CHAIR CONTROLS

FOR ALL SEATING ACTUATORS

Elegant built-in controls for seating applications: The rounded corners of the screwless housings give the OKIN controls a premium look that adapts to the design of the furniture. Thanks to the stable processing of the housings, high reliability and quality is ensured. Due to their compact design, the controls are space-saving and can be used flexibly. The built-in controls also feature a USB charger that can be used to conveniently charge connected devices such as smartphones or tablets.



Chair Control Mira



Chair Control SeeSaw



Chair Control MP

	Chair Control Mira	Chair Control SeeSaw	Chair Control MP
Control Unit	Direct control	Direct control	Direct control
Color	Black (buttons: metal)	Black	Metal housing
Buttons	2 - 4	4 (2 rocker switches)	2 - 4
Protection type	IP20	IP20	IP20
Built-in USB charger	Yes	Yes	Yes

HANDSETS – WIRELESS

COMPATIBLE WITH OKIN RF RECEIVERS

OKIN RF handsets stand out in particular for their elegant design: The screwless housing is appealing and flat, ensuring an optimal handling at all times. Thanks to their responsive buttons and high value housing surfaces, the handsets are ideal for seating applications. Equipped with the OKIN bi-directional 2.4 GHz radio control, the input of commands is always accurate and reliable.



RF Eco+



RF Eco

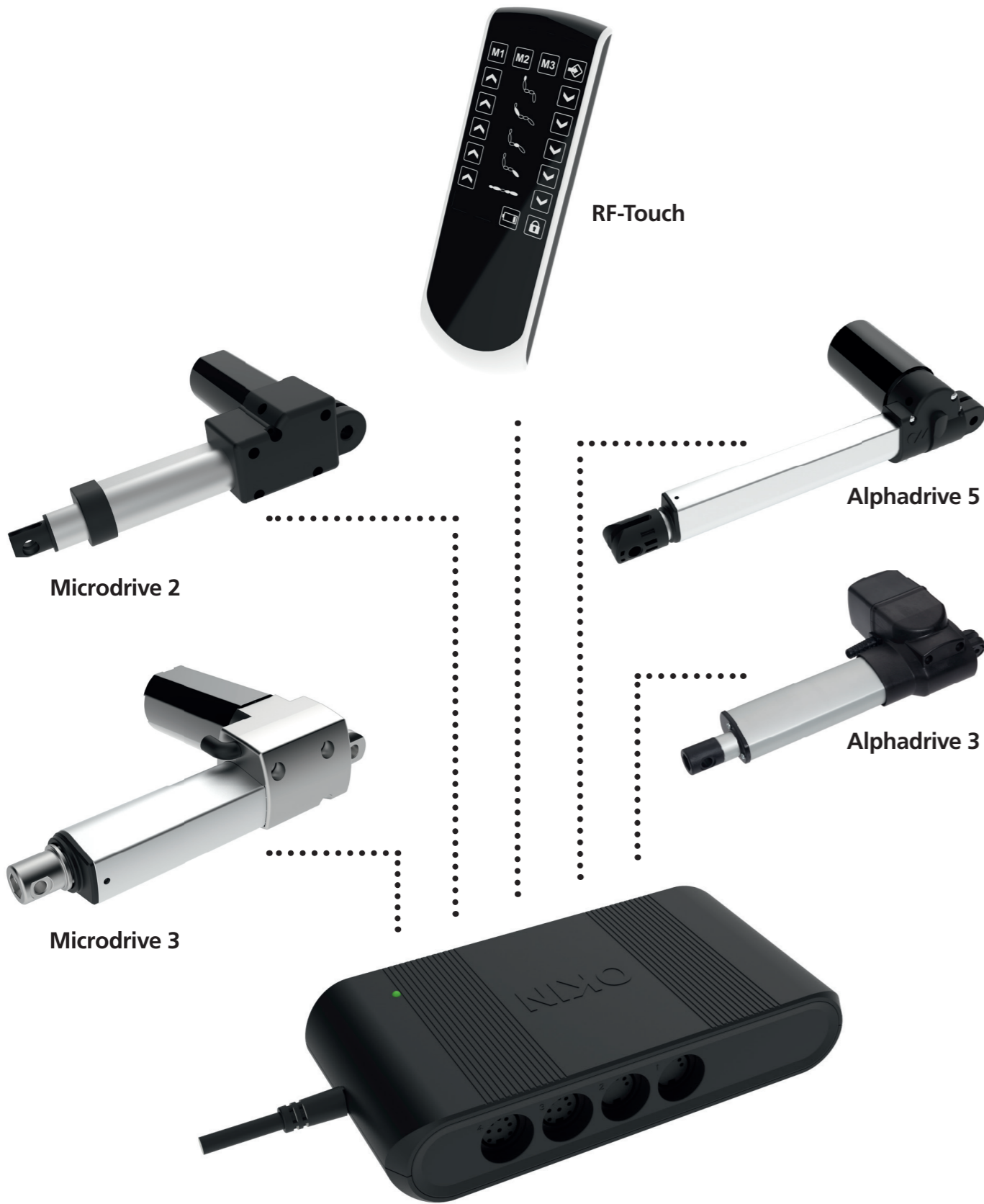


RF Touch

Connection	RF technology 2.4 GHz Bidirectional
Protection type	IP20
Compatibility	Combinable with all OKIN seating systems
Option	Customizable buttons Customer-specific printings
Certification	RED

SYSTEM EXAMPLE MODULAR

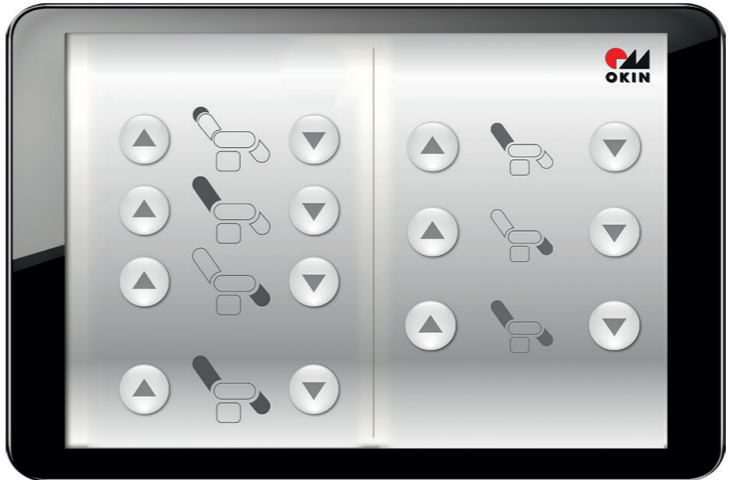
CU165 WITH SINGLE ACTUATORS



OKIN-APPS

MOBILE CONTROL

Comfortable operation of adjustable recliner chairs via smartphone or tablet. OKIN apps are designed to work in perfect sync with seating applications. They are easy to install and use. Our apps reflect more functions compared to the RF handset and offer a new way of operation. OKIN offers standard iOS and Android Apps as well as customized versions for individual requirements.



CU155+

CONTROL UNIT

Connection	Integrated 2.4 GHz RF receiver Bidirectional, interference-free Integrated Bluetooth® receiver
No. of actuators	Up to 4 actuators
Mounting options	Mounting plate
Safety	Overload current switch-off
Connecting cable	Attached supply cable
Features	<ul style="list-style-type: none">• Can be combined with OKIN Powerpack• Can be combined with all OKIN wireless handsets (2.4 GHz bidirectional)



CU165

CONTROL UNIT

Connection	Integrated 2.4 GHz RF receiver Bidirectional, interference-free Integrated Bluetooth® receiver
No. of actuators	Up to 4 actuators (with hall sensors and PWM-control)
Mounting options	Mounting plate
Safety	Overload current switch-off
Connecting cable	Attached supply cable
Features	<ul style="list-style-type: none">• Customized programming• Can be combined with OKIN Powerpack• Can be combined with all OKIN wireless handsets (2.4 GHz bidirectional)



ACCESSORIES

EXTERNAL POWER SUPPLY

The external OKIN power supplies PD21 and PD22 combine space-saving design with high performance. They can be combined with all OKIN actuators and are therefore ideal for a wide range of seating applications. Thanks to the electronic switching power supply technology (SMPS), the external power supplies have a higher efficiency, are lighter and more compact. The external power supplies provide a constant output voltage independent of the input voltage. They also feature very low standby power consumption, comply with energy efficiency class VI and comply with the Ecodesign Directive 2009/125/EC.



Control	SMPS
Power supply	Wide input voltage range 100-240 V/AC
Output voltage	29 V DC constant voltage output
Connecting cable	Pluggable
Indicators	LED operating status indication (green)
Safety	<ul style="list-style-type: none">• NTC temperature sensor• Primary fuse• Overload protection• Overcurrent switch-off• Short-circuit-proof output

BATTERY POWER PACK 1800

FOR ALL OKIN CONTROL UNITS

The compact PP1800 with an internal charging board enables the mains-independent power supply for electrically adjustable seating furniture. The Li-Ion rechargeable battery also allows OKIN actuator systems to be charged and operated simultaneously. An LED charge status indicator and an acoustic warning signal for low residual charge provide reliable information on the status of the power pack. In addition, the PP1800 has numerous safety features such as electronic overload cut-off and deep discharge protection.



Output voltage	29 V DC
Battery type	Lithium-ion
Capacity	1800 mAh
Housing color	Black RAL 9005
Protection type	IP20
Safety	<ul style="list-style-type: none">• Overheating protection• Overload protection• Overcurrent disconnection• Short-circuit proof• Deep discharge protection

OKIN – A PHOENIX MECANO BRAND

We at OKIN are convinced of the importance of confidence in a good working relationship – confidence in the product, confidence in the manufacturer. That's why we provide professional, authentic and visionary services based on partnership from the very start. We will develop and implement new ideas together with you to ensure success in your products. Apart from our standard components, we also develop bespoke actuator solutions for a wide variety of applications. Exceptionally high quality is always a key factor in our work. OKIN products are designed and engineered in Kirchlengern, Germany and produced in Kecskemet, Hungary.



Phoenix Mecano Group

OKIN is a member of the Phoenix Mecano Group, Mechanical Components division. The Phoenix Mecano Group is a global technology company with more than sixty locations on six continents. As a OKIN customer, you benefit from the rapid response times of a highly agile worldwide distribution network.



A Phoenix Mecano Brand

DewertOkin GmbH

Weststraße 1
32278 Kirchlengern
Germany

Phone: +49 52 23/9 79-0
Fax: +49 52 23/7 5-182

info@dewertokin.de
www.dewertokin.de

Sales Seating

Vollmerhauser Straße 34
51645 Gummersbach
Germany

Phone: +49 2 26/80 586-0
Fax: +49 2261/80 586-518

