

CHAIRCONTROL DL Handset

Installation Instructions

(Translation of the original installation instructions)

Foreword

Document revision history

Version	Date	Modification, change
(-)	09/11	First release
(a)	06/12	Second edition
(b)	12/12	RoHS

Disclaimer and Exclusion of Liability

DewertOkin is not responsible for damage resulting from:

- failure to observe these instructions,
- changes made to this product which have not been approved by DewertOkin, or
- the use of replacement parts which have not been approved or manufactured by DewertOkin.

Address of manufacturer

DewertOkin GmbH

Weststraße 1

32278 Kirchlengern

Germany

Tel: +49 (0)5223/979-0

Fax: +49 (0)5223/75182

<http://www.dewertokin.de>

Info@dewertokin.de

Table of Contents



Foreword	3
Document revision history	3
Disclaimer and Exclusion of Liability	3
Address of manufacturer	3
Table of Contents	4
1. General Information	5
1.1 About these installation instructions	5
1.2 Availability of this document	5
1.3 Conventions used	6
2. Safety Instructions	7
2.1 Proper and Intended Usage	7
2.2 Selection and qualification of personnel	7
3. Handset Description	8
3.1 CHAIRCONTROL handset	8
4. Technical Specifications	9
5. Installation	10
5.1 Installation procedure	10
6. Operation	11
6.1 Rocker switch on the CHAIRCONTROL handset	11
7. Troubleshooting	12
8. Maintenance	13
8.1 Maintenance	13
8.2 Cleaning and care	14
9. Disposal	15
EU Declaration of Conformity	16

1. General Information

1.1 About these installation instructions

These installation instructions must be followed closely in order to install this unit successfully and safely in the end product. These instructions are not an operating manual for the end product.

These instructions will help you to minimize danger, repair costs and down times. They will also help you to maximize the reliability and lifespan of the end product.

	<p data-bbox="395 584 592 640"> CAUTION</p> <p data-bbox="395 658 1369 719">The notices in these instructions must be followed! Following the guidelines during installation and connection procedures will help to minimize:</p> <ul data-bbox="395 734 991 808" style="list-style-type: none">• the risk of accident and injury, and• damage to the drive system or the end product.
---	---

These installation instructions have been written with due care and attention. However, we cannot guarantee that the data, images and drawings are complete and correct nor do we accept any liability for the information contained therein, unless required by law.

- ▶ We reserve the right to make unannounced technical changes in the course of our continual product improvement process!

1.2 Availability of this document



As manufacturer of the end product, you are obligated to comply with Machinery Directive 2006/42/EC. This directive stipulates that the installation instructions must be kept on file for governmental inspection purposes.



1.3 Conventions used



Notices which do not relate to safety are indicated in these instructions with a triangle:


- ▶ Triangular notice symbol

Safety notice explanations

	 DANGER
	DANGER indicates a hazardous situation which, if not avoided, will result in death or serious injury.

	 WARNING
	WARNING indicates a hazardous situation which, if not avoided, could result in death or serious injury.



	 CAUTION
	CAUTION indicates a hazardous situation which, if not avoided, could result in minor or moderate injury.

	NOTICE
	NOTICE is used to address practices which are not related to personal injury but may result in damage to the product or surroundings.

2. Safety Instructions



2.1 Proper and Intended Usage



DewertOkin's CHAIRCONTROL handset is used to control DewertOkin drive systems.



	 CAUTION
	This handset should only be used for the applications described above. Any other form of usage is not permitted and can lead to accidents or destruction of the unit. Such non-approved applications will lead immediately to the expiration of all guarantee and warranty claims on the part of the end-product manufacturer against the manufacturer.

Improper usage

Be sure to follow the notices below concerning improper usage. You should include them in your product manual in order to inform the users of your end product.

	 WARNING
	The CHAIRCONTROL handset may not be used: <ul style="list-style-type: none"> • near high-frequency surgical equipment or defibrillators, • in any environment where combustible or explosive gases or vapours (e.g., anaesthesiology) may be present, • in a humid environment or outdoors, or • in any application that will be cleaned with an automated washing system.

	 CAUTION
	The CHAIRCONTROL handset may not be used: <ul style="list-style-type: none"> • by small children, • by frail or infirm persons without supervision, or • in the proximity of small children.

	 CAUTION
	You should only use spare parts which have been manufactured or approved by DewertOkin. Only original or approved spare parts guarantee sufficient levels of safety.

2.2 Selection and qualification of personnel

This unit should only be installed into the end product by someone who has completed training in electronic motor assembly or has equivalent qualifications.

You should only install this unit into the end product if you are qualified to do so. Otherwise, a properly qualified person should be found for this task.

3. Handset Description

The end product is controlled and adjusted using the keypad on the CHAIRCONTROL handset. The CHAIRCONTROL handset should be connected to a DewertOkin drive.

3.1 CHAIRCONTROL handset

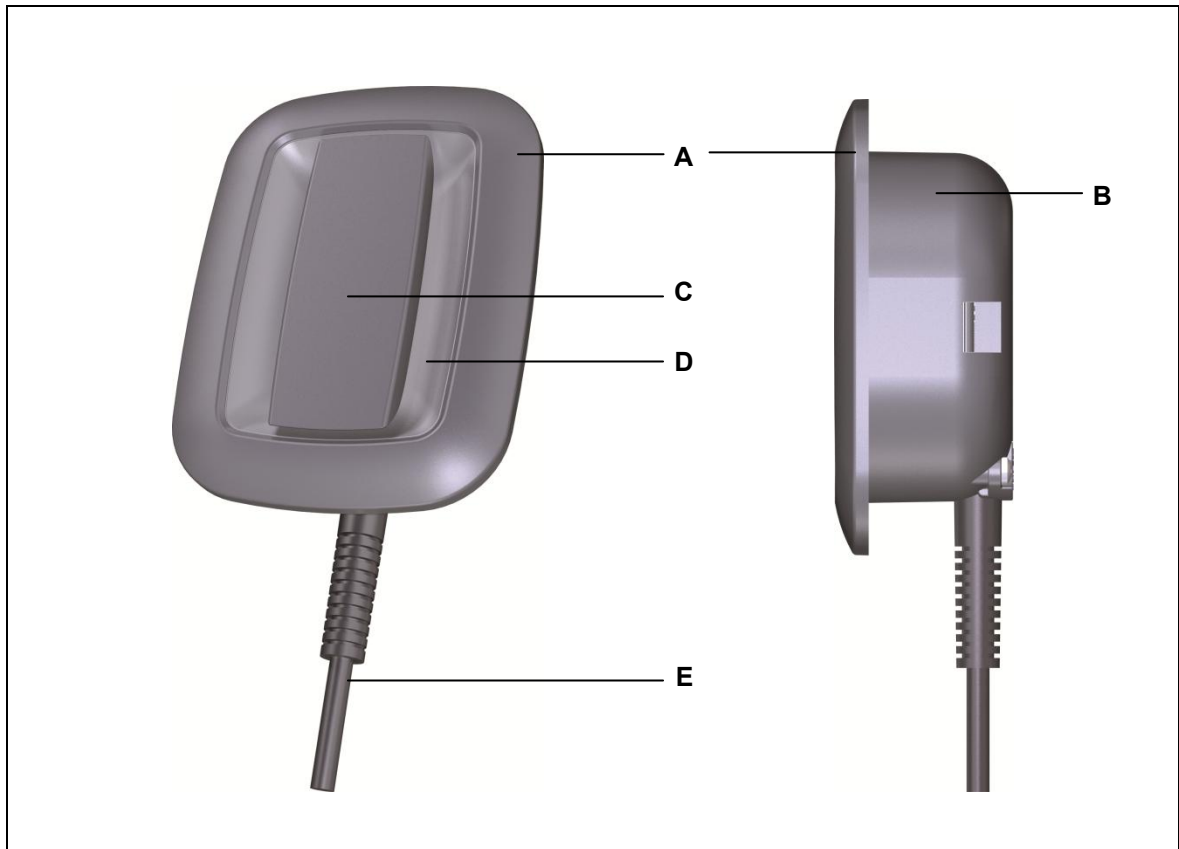


Figure 1 CHAIRCONTROL handset

A Faceplate

C Rocker switch

E Cable for connecting to the drive system

B Bottom case

D Handset lighting (optional)

4. Technical Specifications

Connection voltage	24 – 29 V DC
Protection degree	IP20
Protection classification	III
Colours	Refer to sales brochure
Length x width x height	92 mm x 70 mm x 36 mm
Weight	approx. 150 g

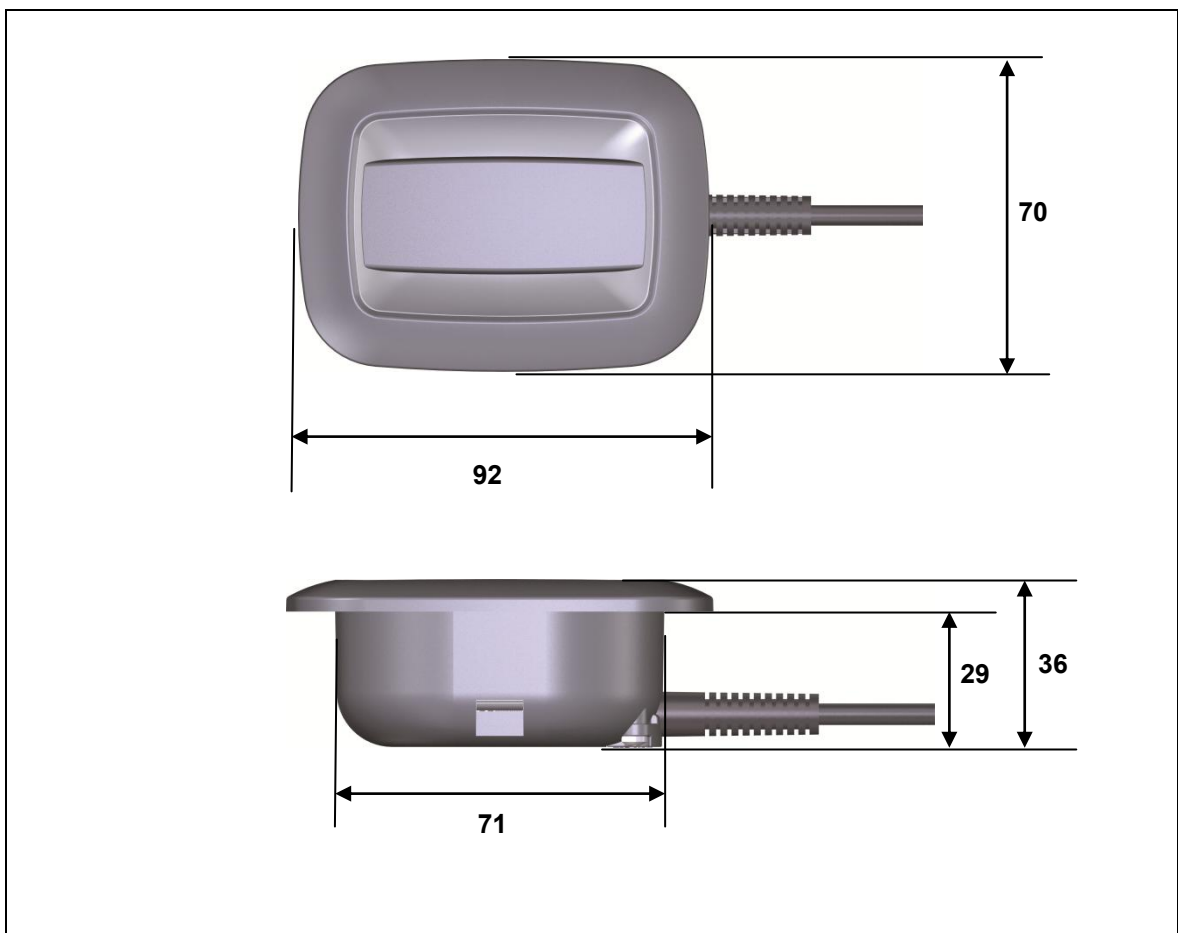


Figure 2 Dimensions of the CHAIRCONTROL handset (in mm)

5. Installation

5.1 Installation procedure

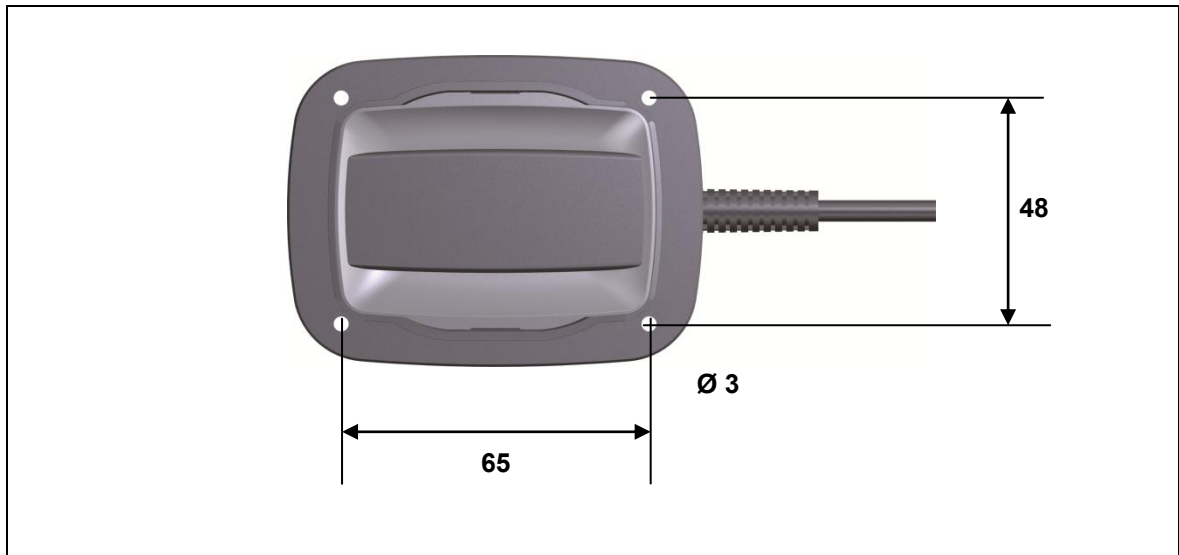


Figure 3 Installation dimensions for the CHAIRCONTROL handset (in mm)

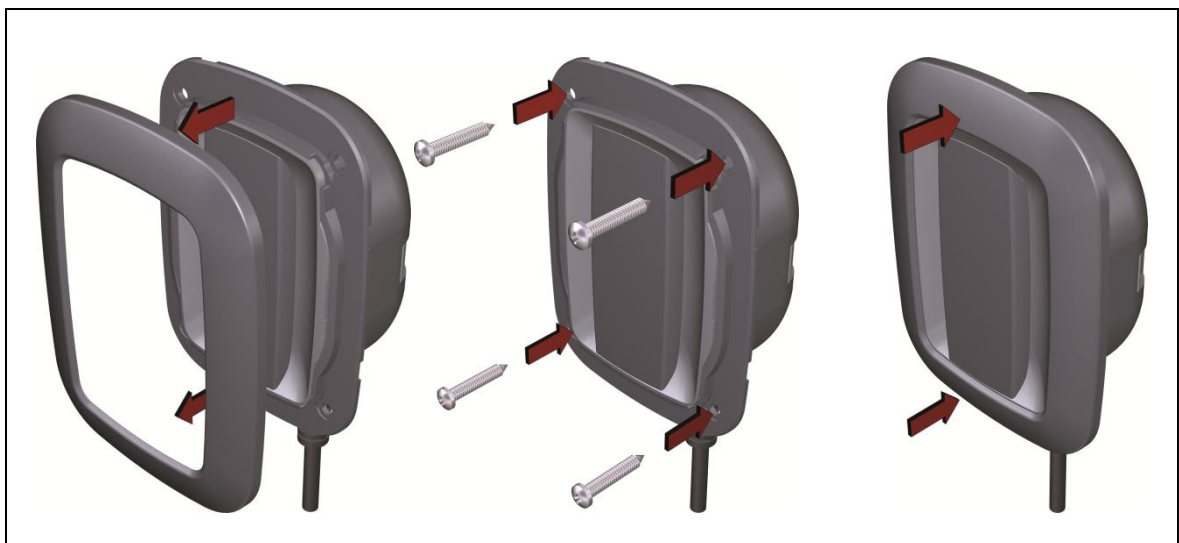


Figure 4 Installing the handset

- ▶ Use screws in accordance with ISO 7049: with 3 mm diameter and a suitable length (diameter of screw head: 5.7 mm; height of screw head: max. 2.5 mm).
- 1 Take off the handset's faceplate.
 - 2 Use four screws to attach the handset to the end product.
 - 3 Put the faceplate back onto the handset. Press down on the faceplate until it snaps on.
 - 4 Connect the plug from the handset cable into the handset socket on the drive system.

6. Operation

6.1 Rocker switch on the CHAIRCONTROL handset

The CHAIRCONTROL handset has a rocker switch that is used to trigger the adjustment motions in the end product.

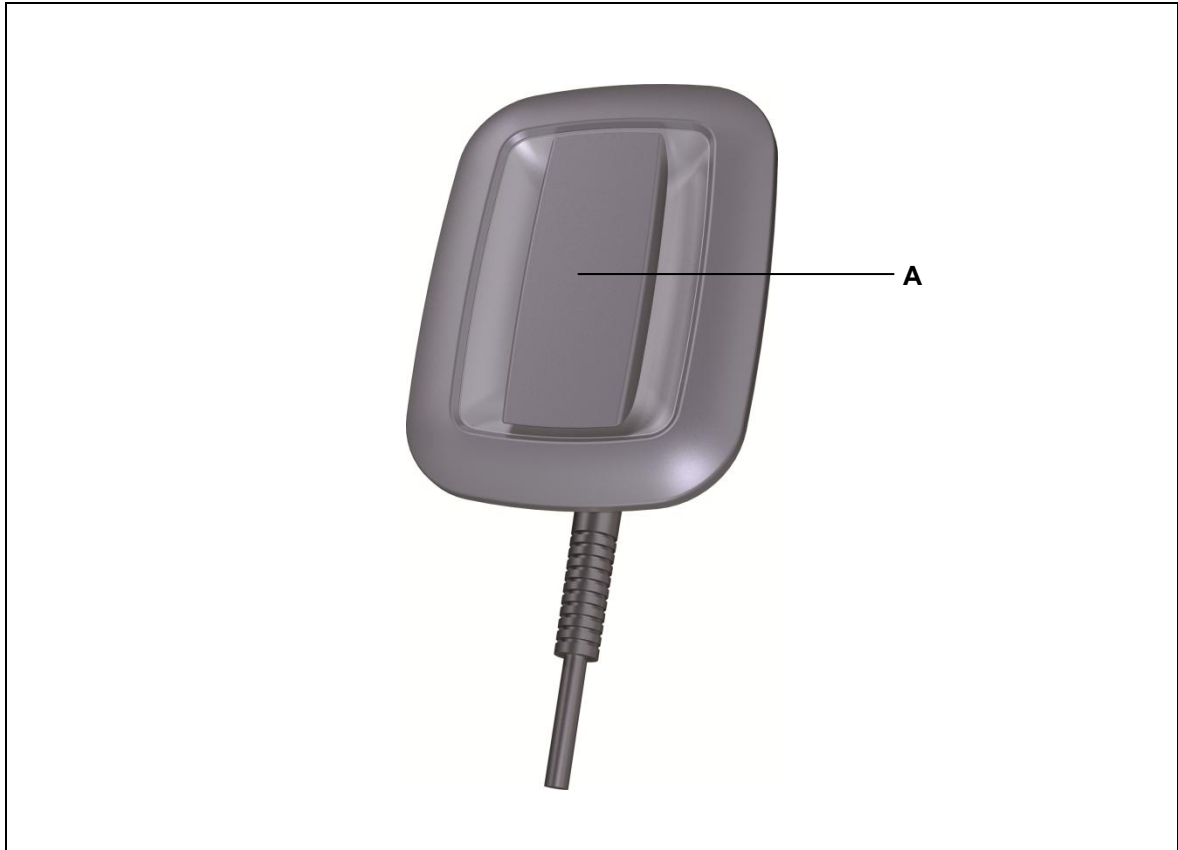


Figure 5 Rocker switch on the CHAIRCONTROL handset

A Rocker switch for the adjustment motions

7. Troubleshooting

This chapter describes troubleshooting methods for fixing problems. If you experience an error that is not listed in this table, please contact your supplier.

Problem	Possible cause	Solution
The handset or drive system is not functioning.	There is no mains voltage on the drive or control unit.	Connect the mains power.
	The handset cable is not plugged in.	Plug the handset cable into the drive or controller.
	The hand switch or drive system is defective.	Please contact your supplier or sales agent.
The drive is suddenly not capable of movement.	The unit's fuse may have been triggered or may be broken.	Please contact your supplier or sales agent.
	There is no mains supply voltage.	Connect the mains power.
	A lead-in connection has been interrupted (mains power or handset).	Check the lead-in connections and re-seat the contacts if required.

8. Maintenance


- ▶ You should only use spare parts which have been manufactured or approved by DewertOkin. Only original or approved spare parts guarantee sufficient levels of safety.

8.1 Maintenance


Type of check	Explanation	Time interval
Check the function and safety of the electrical system.	A qualified electrician should carry out this inspection. (Refer to the "Electrical connection" section in the "Installation" Chapter.)	Periodic inspections can be carried out at intervals based on the risk assessment which you conduct for your end product.
Periodic visual inspection for housing damage.	Check the housing for breaks or cracks. The IP-class protection will be impaired by any breakage or cracks.	At least every six months.
Periodic visual inspection of the plug-in connections and electrical access points for damage.	Check that all electrical cables and connections are firmly seated and correctly positioned.	At least every six months.
Periodic visual inspection for cable damage.	Check the connecting cables for pinching or shearing. Also check the strain relief and kink protection mechanisms, in particular after any mechanical load.	At least every six months.
Periodic functional test of the handset	Move to the end positions in order to test the handset.	At least every six months.

8.2 Cleaning and care

The CHAIRCONTROL handset was designed so that it would be easy to clean. Its smooth surfaces simplify the cleaning process.

	NOTICE
	Never clean the handset in an automated washing system or with a high-pressure cleaner. Do not allow fluids to penetrate the handset. Damage to the system could result.

- 1 Be sure to disconnect the handset cable from the drive before you start cleaning!
- 2 Clean the CHAIRCONTROL handset with a moist cloth.
- 3 Be sure that you do not damage the drive's connecting cable.

	NOTICE
	Do not use a cleanser that contains benzene, alcohol or similar solvents.

9. Disposal

The CHAIRCONTROL handset consists of electronic components, cables and metal and plastic parts. You should observe all corresponding national and regional environmental regulations when disposing of the CHAIRCONTROL handset.

The disposal of the end product is regulated in Germany by Elektro-G, internationally by the EU Directive 2012/19/EC (WEEE), or by any applicable national laws and regulations.



The CHAIRCONTROL handset should not be disposed of with normal household waste!

EG-Konformitätserklärung

Nach Anhang IV der EMV-Richtlinie 2014/30/EU

Nach Anhang VI der RoHS-Richtlinie 2011/65/EU
(inkl. Delegierte Richtlinie (EU) 2015/863)

Der Hersteller

EU Declaration of Conformity

*In compliance with Appendix IV of the EMC-Directive
2014/30/EU*

In compliance with Appendix VI of the EU RoHS
Directive 2011/65/EU
(incl. Commission delegated Directive (EU) 2015/863)

The manufacturer

DewertOkin GmbH
Weststraße 1
32278 Kirchlengern
Deutschland - Germany

erklärt hiermit, dass das Produkt

declares that the following product

CHAIRCONTROL

mit OKIN-Antriebssystem / with OKIN drive system

die Anforderungen folgender EG-Richtlinien erfüllt:

meets the requirements of the following EU directives:

**Richtlinie über elektromagnetische Verträglichkeit
2014/30/EU**

Electromagnetic Compatibility Directive 2014/30/EU

**DELEGIERTE RICHTLINIE (EU) 2015/863 DER
KOMMISSION vom 31. März 2015 zur Änderung von
Anhang II der Richtlinie 2011/65/EU des Euro-
päischen Parlaments und des Rates hinsichtlich der
Liste der Stoffe, die Beschränkungen unterliegen.**

**COMMISSION DELEGATED DIRECTIVE (EU)
2015/863 of 31 March 2015 amending Annex II to
Directive 2011/65/EU of the European Parliament
and of the Council as regards the list of restricted
substances.**

Angewendete Normen

Applied standards:

- EN 55014-1:2006/A1:2009/A2:2011
- EN 55014-2:1997/A1:2001/A2:2008
- EN 61000-3-2:2014
- EN 61000-3-3:2013

Konstruktive Änderungen, die Auswirkungen auf die in
der Montageanleitung angegebenen technischen Daten
und den bestimmungsgemäßen Gebrauch haben, das
Produkt also wesentlich verändern, machen diese
Konformitätserklärung ungültig!

*This declaration of conformity is no longer valid if
constructional changes are made which significantly
change the drive system (i.e., which influence the
technical specifications found in the instructions or the
intended use)!*

Kirchlengern, Germany 25 November 2019



Dr.-Ing. Josef G. Groß
Geschäftsführer / Managing Director

DewertOkin GmbH
Weststraße 1
32278 Kirchlengern, Germany
Tel: +49 (0)5223/979-0
Fax: +49 (0)5223/75182
<http://www.dewertokin.de>
Info@dewertokin.de

ID No.: 71485