

MEGAMAT 2 EASY (MCZ EASY)

Installation Instructions

(Translation of the original installation instructions)

Foreword

Document revision history

Version	Date	Modification, change
(-)	03/2015	First release

Disclaimer and exclusion of liability

DewertOkin is not responsible for damage resulting from:

- failure to observe these instructions,
- changes made to this product which have not been approved by DewertOkin, or
- the use of replacement parts which have not been approved or manufactured by DewertOkin.

Manufacturer's address

DewertOkin GmbH
 Weststraße 1
 32278 Kirchlengern
 Germany
 Tel: +49 (0)5223/979-0
 Fax: +49 (0)5223/75182
<http://www.dewertokin.de>
Info@dewertokin.de

Creation of a complete operating instruction manual for the entire end product

These instructions are only intended to be used by the end-product manufacturer. They should not be given to the operator of the end product. The factual information contained within may be used as a basis when creating the end-product manual.

The warning and danger notices are best suited for use in the end product's manual. However it is not sufficient to simply follow these notices. You should also carry out an internal risk assessment for your end product. This can then be used as the basis for the safety notices in your manual.

These installation instructions do not contain all information required to safely operate the end product. They only describe the installation and operation of the drive as partially completed machinery.

The instructions are intended for the technicians responsible for manufacturing an end product and not for the operators of the end product.

Notice for customers in EU nations**German Inspection Authority (TÜV SÜD Product Service) testing label**

The construction of the MEGAMAT 2 EASY (MCZ EASY) drive has been inspected by the German TÜV SÜD Product Service Inspection Authority. TÜV SÜD Product Service also monitors the production of the MEGAMAT 2 EASY (MCZ EASY). The official German TÜV SÜD Product Service certifies this construction inspection and production monitoring.

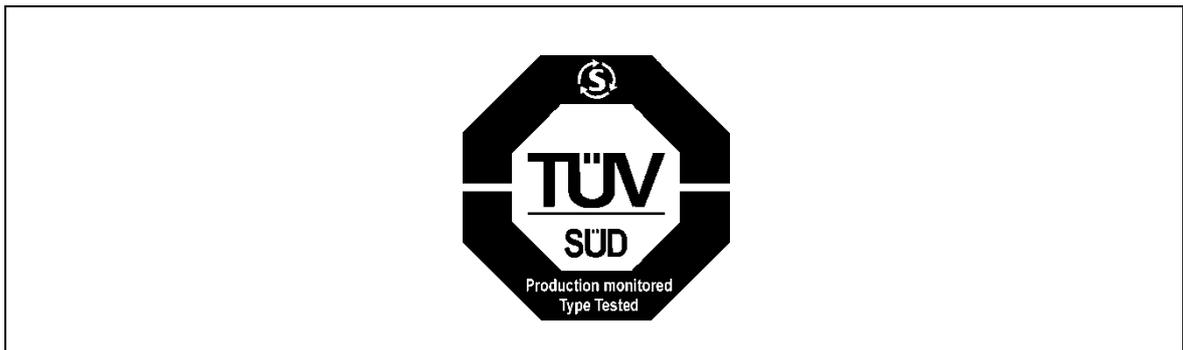


Figure 1 TÜV SÜD Product Service Safety Mark

Table of contents

Foreword	3
Document revision history	3
Disclaimer and exclusion of liability	3
Manufacturer's address	3
Creation of a complete operating instruction manual for the entire end product	3
Notice for customers in EU nations	4
Table of contents	5
1. General Information	7
1.1 Configurations	7
1.2 About these installation instructions	7
1.3 Availability of this document	7
1.4 Conventions used	8
2. Safety notices	9
2.1 Proper and intended usage	9
2.2 Safety notices contained in the installation instructions and operating instructions for the entire machine	10
2.3 Selection and qualification of personnel	10
2.4 Notice on safety during operations	11
2.5 Product identification	12
3. Possible combinations	13
4. Description	14
4.1 Components	14
5. Technical specifications	20
6. Installation	22
6.1 Safety notices to observe during installation	22
6.2 Installation procedure	24
7. Operating notes	31
7.1 General information	31
7.2 Notice for operating with optional configuration	32
8. Troubleshooting	33
9. Maintenance	34
81419(-)	5

9.1	Maintenance	34
9.2	Cleaning and care	35
10.	Disposal	36
10.1	Packaging material	36
10.2	Drive components	36
	Declaration of incorporation/installation	37
	EC Declaration of Conformity	38
	Additional information	39

1. General Information

1.1 Configurations

The MEGAMAT 2 EASY (MCZ EASY) drive is referred to here as the MEGAMAT MCZ EASY.

The MEGAMAT MCZ EASY drive can be used in several different configurations. The "Possible combinations" chapter includes information about the different device combinations available.

1.2 About these installation instructions

These installation instructions must be followed closely in order to install this drive successfully and safely in the end product. These instructions are not an operating manual for the end product.

These instructions will help you to minimize danger, repair costs and down times. They will also help you to maximize the reliability and lifespan of the end product.

 CAUTION
<div style="display: flex; align-items: center;">  <div> <p>The notices in these instructions must be followed! Follow the guidelines during installation and connection procedures to minimize:</p> <ul style="list-style-type: none"> • the risk of accident and injury, and • damage to the drive system or the end product. </div> </div>

These installation instructions have been written with due care and attention. However, we cannot guarantee that the data, images and drawings are complete and correct nor do we accept any liability for the information contained therein, unless required by law.

- ▶ We reserve the right to make unannounced technical changes in the course of our continual product improvement process!

1.3 Availability of this document

As manufacturer of the end product, you are obligated to comply with Machinery Directive 2006/42/EC. This directive stipulates that the installation instructions must be kept on file for governmental inspection purposes.

1.4 Conventions used

Notices which do not relate to safety are indicated in these instructions with a triangle:

- ▶ Triangular notice symbol

Safety notice explanations

	<p> WARNING</p> <p>WARNING indicates a hazardous situation which, if not avoided, <i>could</i> result in death or serious injury.</p>
	<p> CAUTION</p> <p>CAUTION indicates a hazardous situation which, if not avoided, could result in minor or moderate injury</p>
	<p>NOTICE</p> <p>NOTICE is used to address practices which are not related to personal injury but may result in damage to the product or surroundings.</p>

2. Safety notices

2.1 Proper and intended usage

The MEGAMAT MCZ EASY drive is meant to be installed in an end product.

- It provides motor adjustment capabilities for movable application. It should be used in conjunction with suitable fittings and mechanics.
- for care purposes
- or in hospitals.

	 CAUTION
	<p>This drive should only be used for the applications described above. Any other use is forbidden. Improper usage can lead to accidents or destruction of the unit. Such non-approved applications will lead immediately to the expiration of all guarantee and warranty claims on the part of the end-product manufacturer against the manufacturer.</p>

Improper usage

Be sure to follow the notices below concerning improper usage. You should include them in your product manual in order to inform the users of your end product.

	 WARNING
	<p>The MEGAMAT MCZ EASY drive should not be used:</p> <ul style="list-style-type: none"> • in any environment where combustible or explosive gases or vapours (e.g., anaesthesiology) may be present, • in a moist environment, • outdoors, • in any application that will be cleaned with an automated washing system, • for raising and lowering loads in industrial or technical applications.

	 CAUTION
	<p>The MEGAMAT MCZ EASY drive may not be operated:</p> <ul style="list-style-type: none"> • by small children, • by frail or infirm persons without supervision, or • in the proximity of small children.

The MEGAMAT MCZ EASY drive can be used by children of 8 years and older, persons with reduced physical, sensory or mental capabilities, or persons with lack of experience or knowledge when they are supervised or instructed concerning the safe use of the device and when they understand the resulting risks. Do not allow children to play with this device. The cleaning and user maintenance must not be carried out by children without supervision.

- ▶ You should only use spare parts which have been manufactured or approved by DewertOkin. Only these parts will guarantee a sufficient level of safety.

Using the drive systems in medical applications

This DewertOkin product is in compliance with the safety requirements found in IEC 60601-1.

We strongly recommend that the end product (including all its components) which you are manufacturing for a medical application should also be in compliance with the safety requirements found in IEC 60601-1.

You should make sure that the mechanical movement of the motor in your end product poses no risk of injury. Conduct a risk analysis for the end product for this purpose. You should also include safety notices in the instructions for the end product and technical safeguards in your product to eliminate any risk.

2.2 Safety notices contained in the installation instructions and operating instructions for the entire machine

The manufacturer of the end product is only permitted to operate the MEGAMAT MCZ EASY drive (by itself an incomplete machine)

- when the end product (for which the MEGAMAT MCZ EASY drive is intended) is in compliance with all protective measures specified in the Machinery Directive 2006/42/EC, and
- when the manufacturer expressly declares the compliance of the end product.

The manufacturer of the end product must create a manual for the users of that product. The safety notices in the end-product manual must be written based on the end product's risk assessment.

2.3 Selection and qualification of personnel

This drive should only be installed into the end product by someone who has completed training in electronic motor assembly or has equivalent qualifications

You should only install this drive when you are qualified to do so. Otherwise, a properly qualified person should be found for this task.

2.4 Notice on safety during operations

Basic safety rules must be followed in order to ensure that the end product can be continually operated in a safe manner. These rules must be observed while using the end product and while installing the drive.

These rules and safety measures can be categorized as follows:

- Construction measures before the installation (refer to the "Ensuring operational reliability during installation" section in Chapter "Installation").
- Safety fundamentals during the drive installation and during cable and wire routing (refer to the "Safety notices to observe during installation" section in the "Installation" chapter).
- Using the drive in intermittent duty (refer to the "**Fehler! Verweisquelle konnte nicht gefunden werden**.General information" section in the "Operating notes" chapter).
- Basic safety rules during operation (refer to the "Operating notes " Chapter).
- The creation of a manual for the end product which contains these and other safety rules.

Creating a user's manual

The manufacturer of the end product must create a manual for the users of that product. The safety notices in the end-product manual must be written based on the end product's risk assessment.

2.5 Product identification

2.5.1 Ratings plate

A ratings plate on each drive specifies the exact name and serial number of the drive. It also states the technical specifications valid for that particular drive. The following illustration shows where the specifications are located on the drive's ratings plate.

- ▶ The ratings plate shown is an example; the specifications for your drive may differ from this illustration.

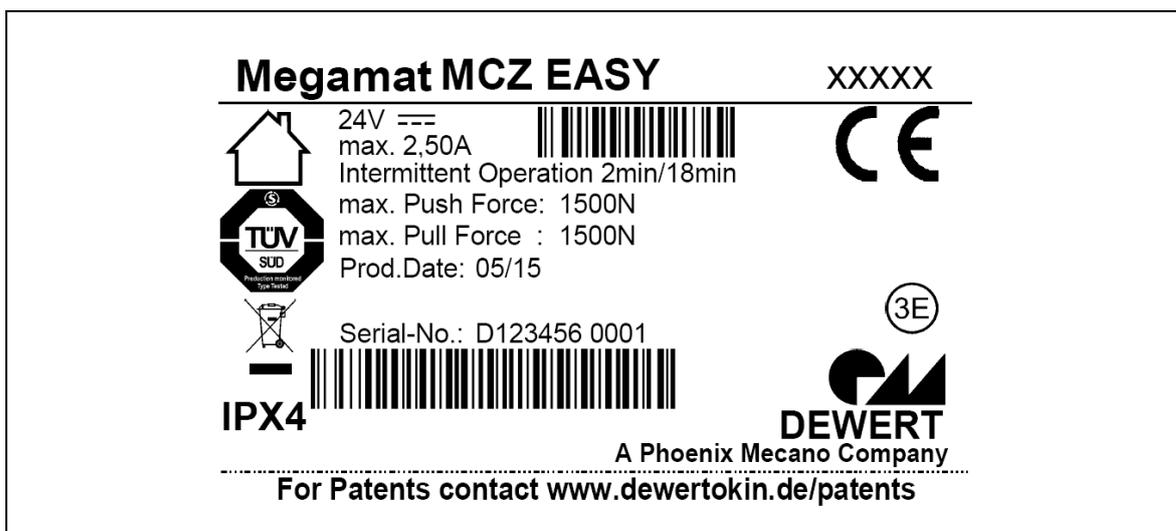


Figure 2 Ratings plate example

Megamat MCZ EASY	Model name
xxxxx	Article number
24V	Input voltage
max. 2,50A	Current consumption
Intermittent Operation 2min/18min	Intermittent operations: 2 minutes / 18 minutes
max. Push Force	Push force
max. Pull Force	Pull force
Prod.Date	Calendar week / year
Serial-No.	Serial number for your drive
IPX4	Protection degree
	Standards label: refer to additional information
	Use in dry rooms only!
	Follow all special disposal instructions!
	Mark of CE conformity

3. Possible combinations

The MEGAMAT MCZ EASY single drive can be combined for use with other single drives, double drives or control units. The following basic combinations are possible:

- An ECS control unit attached to the MEGAMAT MCZ EASY, with connected PD14/PD15 POWER SUPPLY and an IPROXX 2 handset.
- An ECS control unit attached to the MEGAMAT MCZ EASY, with connected PD14/PD15 POWER SUPPLY, up to three additional MEGAMAT MCZ EASY units, and an IPROXX 2 handset.
- One or two MEGAMAT MCZ EASY units connected to a DUOMAT 3 CARE EASY, with connected PD14/PD15 POWER SUPPLY and an IPROXX 2 handset.

Systems can be customized by combining drives, control unit, power supply and handset IPROXX 2 as needed. Make sure that you switch off the electricity before connecting any components (connect while in a voltage-free state).

DewertOkin has separate system instruction manuals containing all information and instructions needed for these systems, refer to www.dewertokin.de for more information.

- ▶ The MEGAMAT MCZ EASY, either the DUOMAT 3 CARE EASY or the ECS control unit, the PD14/PD15 POWER SUPPLY, and the IPROXX 2 handset each constitute a single component from the "EASY DRIVE" drive system.

4. Description

The MEGAMAT MCZ EASY drive is an electrically driven motor that is responsible for moving the end product in a linear direction. This adjustment is created by the in and out movement of a stroke pipe. The movements of the MEGAMAT MCZ EASY drive are controlled using a control unit or a double drive which is connected to a DewertOkin handset.

The different drive models vary according to their:

- power of the drive,
- mounting of the stroke pipe,
- pushing and pulling forces,
- dimensions and stroke.

► We reserve the right to make unannounced technical changes in the course of our continual product improvement process!

4.1 Components

The main components of the MEGAMAT MCZ EASY drive are the motor and the stroke pipe. The stroke pipe is protected by the drive housing when it is retracted. Mounting fixtures are located at the outer end of the stroke pipe and at the opposite end of the drive. They are used to mount the drive in the end product.

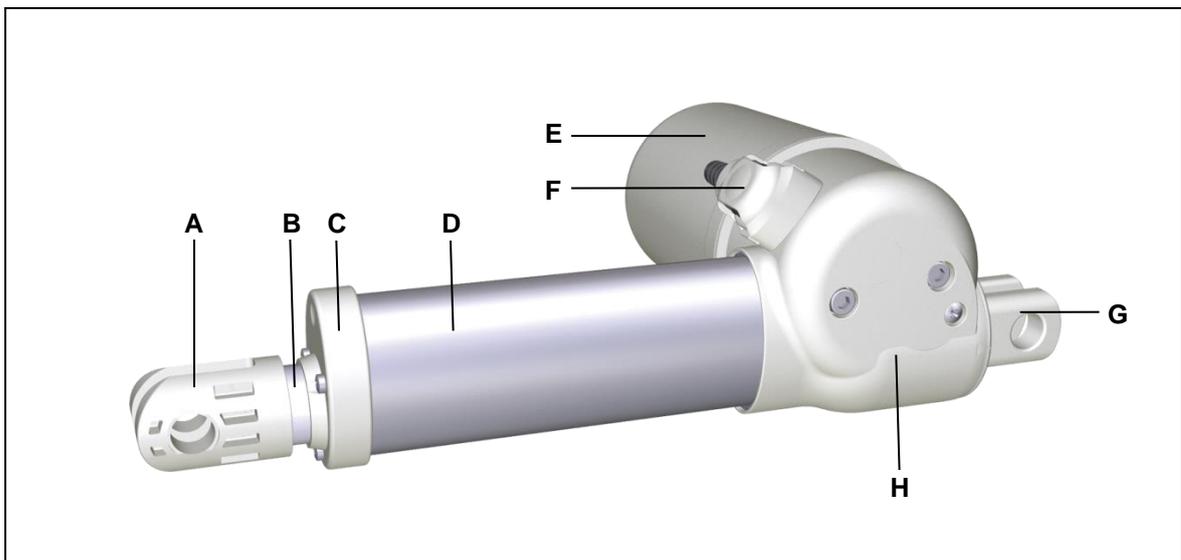


Figure 3 Main components of the MEGAMAT MCZ EASY

- | | |
|-----------------------------|--------------------------------|
| A Stroke pipe clevis | B Stroke pipe |
| C Guiding cap | D Guidance profile |
| E Motor casing cover | F Electrical connection |
| G Gear clevis | H Gear housing |

4.1.1 Stroke pipe options

There are two types of stroke pipes available for different types of applications. The stroke pipe can be screwed onto the spindle screw or it can be mounted unattached. The drive only exerts pushing force when the stroke pipe is mounted loosely (unattached). The motions of the drives for these two versions are shown in the following illustrations.

 CAUTION	
	<p>If the stroke pipe is unattached, then the end product must be designed to prevent the stroke pipe from coming out during operations. This can be accomplished by implementing a fixed end-stop mechanism (refer to the "Safety notices to observe during installation" in the "Installation" chapter).</p>

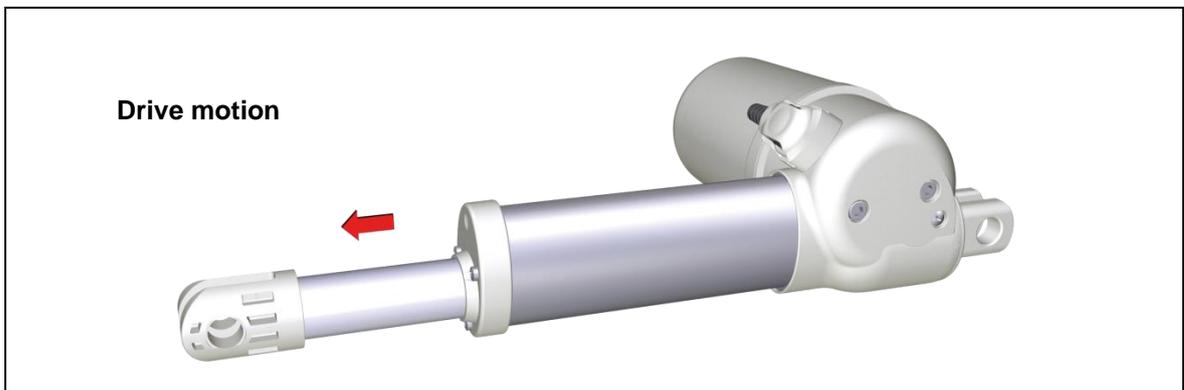


Figure 4 Loose fastening nut (stroke pipe not secured): only pushing forces

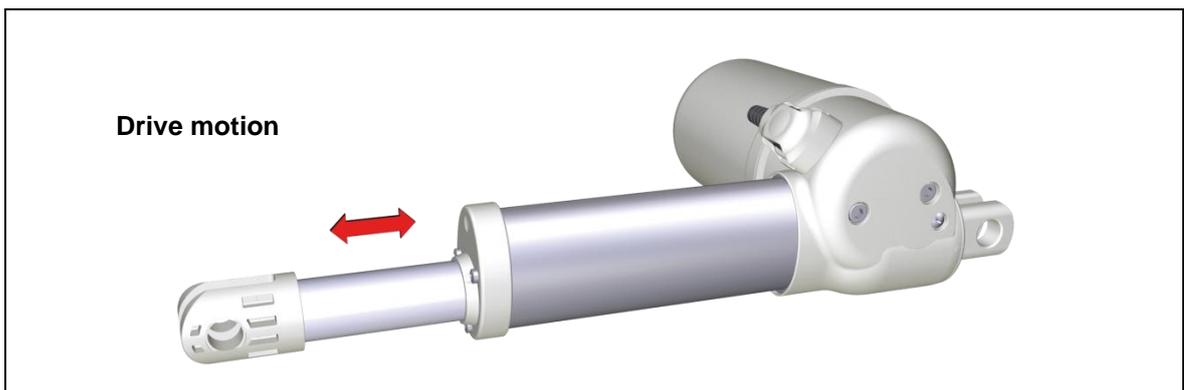


Figure 5 Stroke pipe screwed onto the spindle screw (attached): both pushing and pulling forces

4.1.2 Stroke pipe clevis

The plastic version of the stroke pipe clevis is available for the MEGAMAT MCZ EASY.

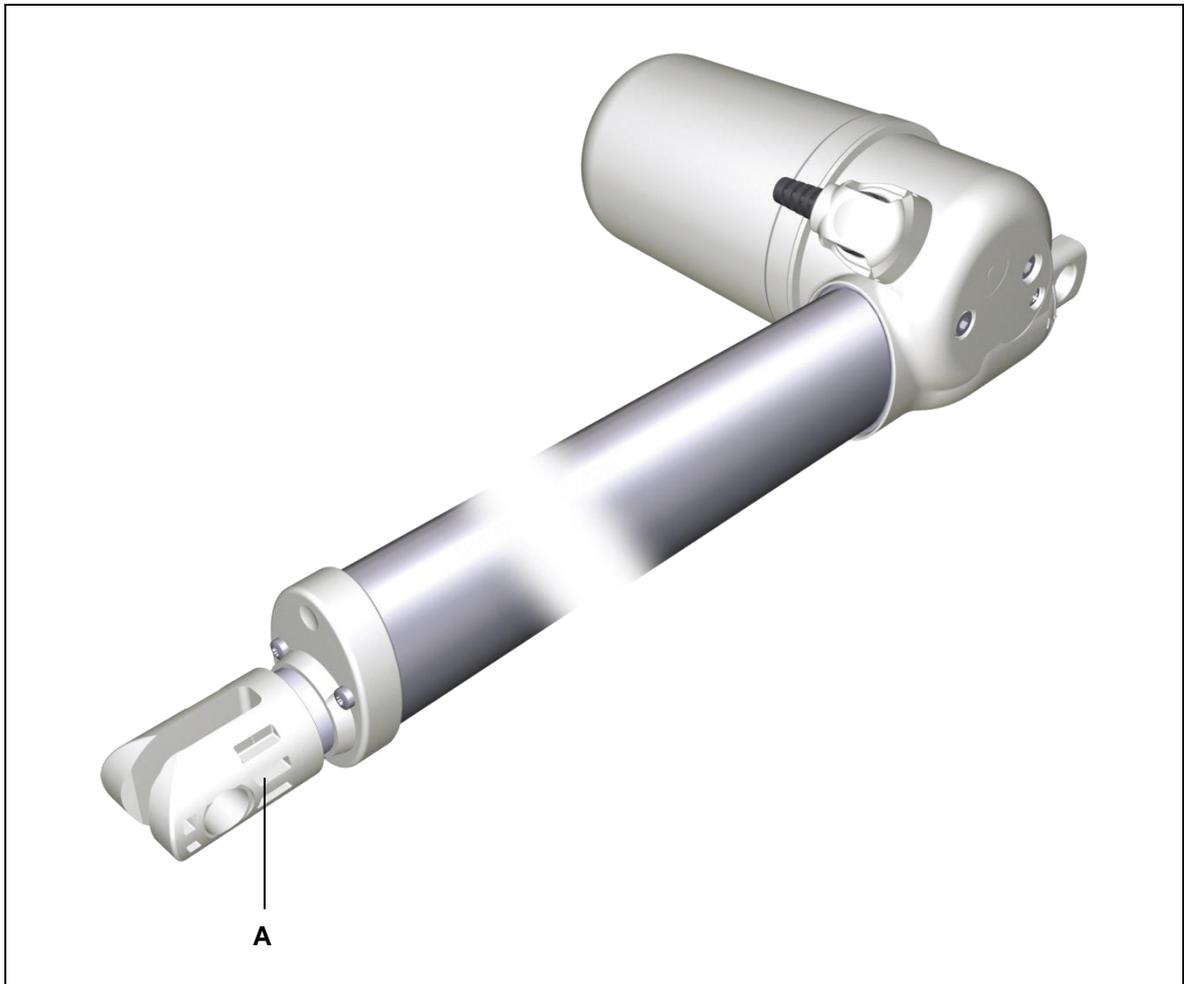


Figure 6 Stroke pipe clevis

A Plastic version

4.1.3 Gear clevis

The plastic version of the gear clevis is available for the MEGAMAT MCZ EASY.

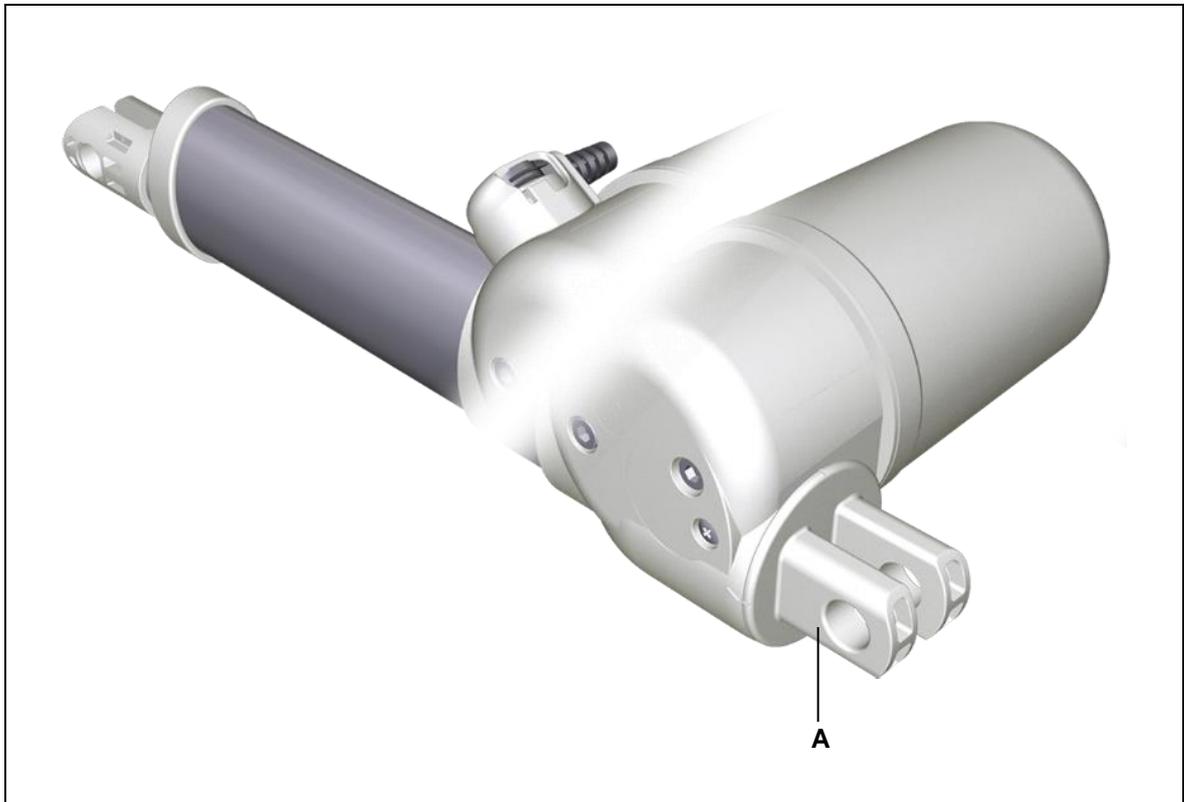


Figure 7 Gear clevis

A Plastic version

4.1.4 Guidance profile cap

The one-piece version of the guidance profile cap is available for the MEGAMAT MCZ EASY.

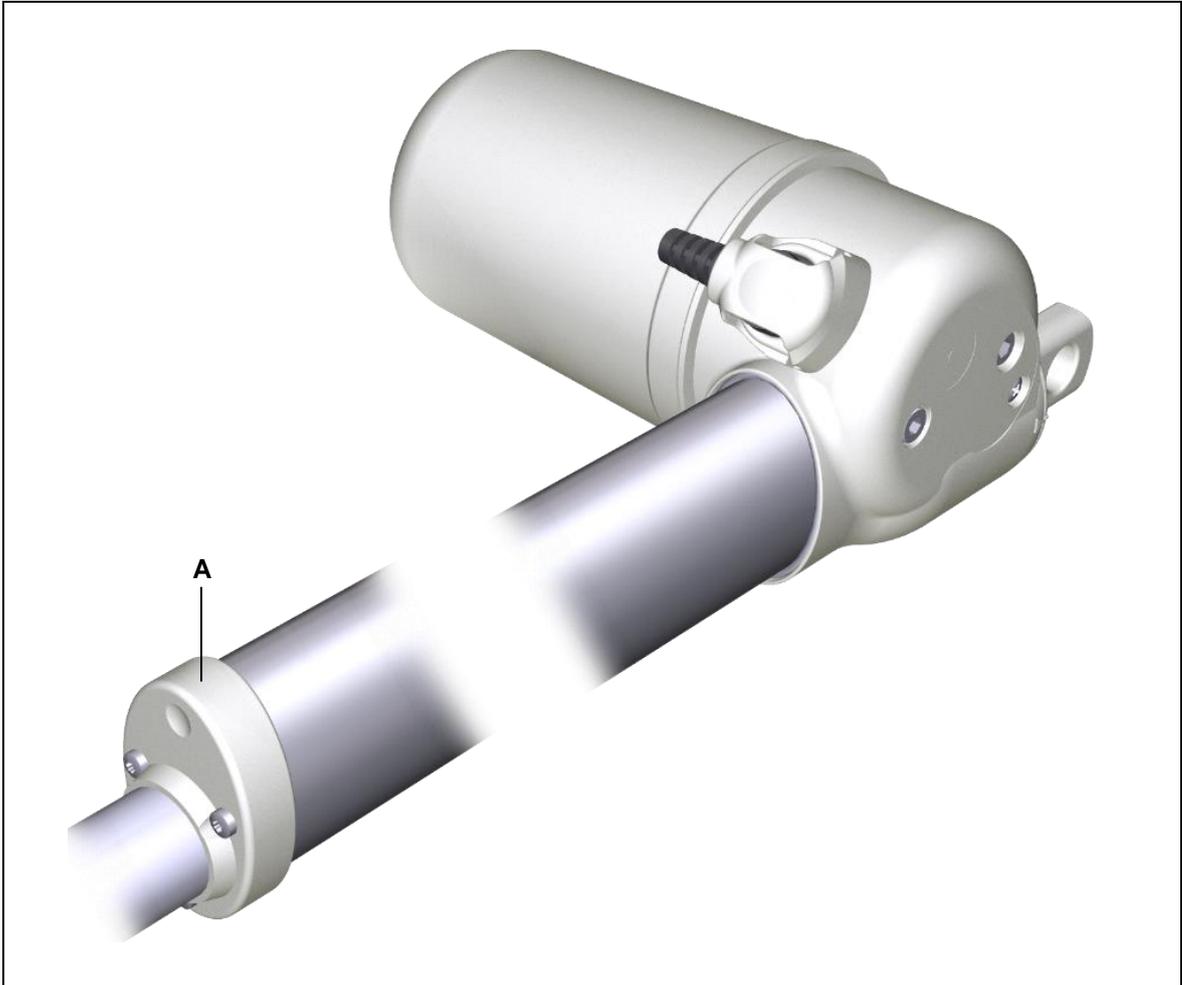


Figure 8 Guidance profile cap

A One-part guidance profile cap

4.1.5 Electrical connection

A permanently attached motor cable is used for the electrical connection, for the non-detachable cap, the electrical connection is permanently attached at the factory and cannot be opened.

	 CAUTION
<p>You must stop using the drive if the snap-on cap or the connection between the snap-on cap and gear housing is damaged.</p>	

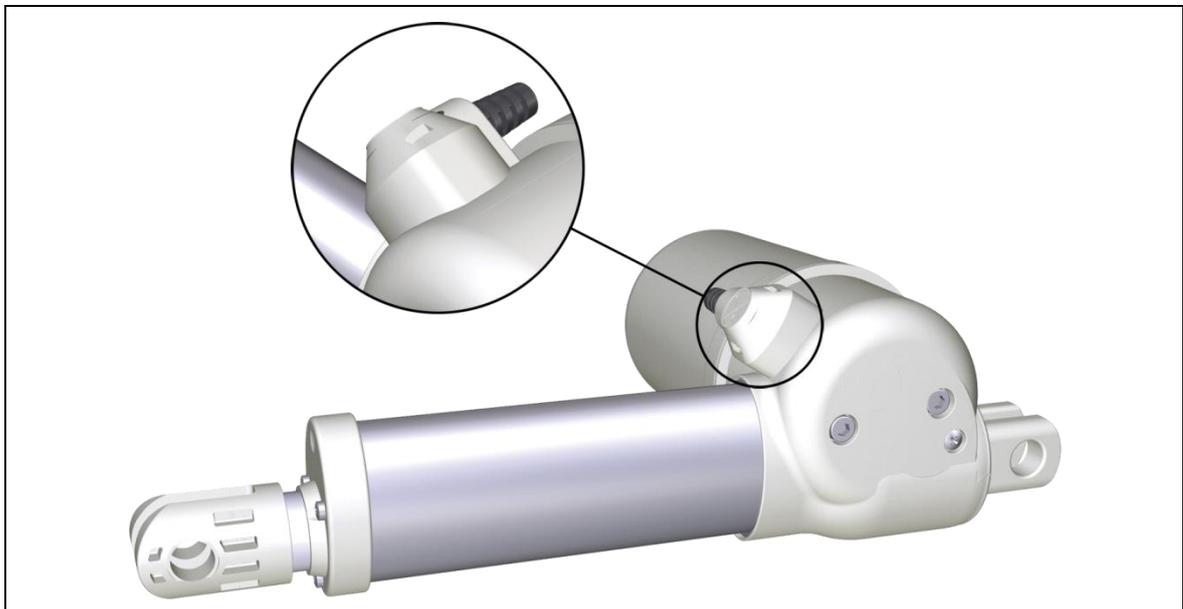


Figure 9 Fixed cap for fixed motor cable

The following symbol can be found on the MEGAMAT MCZ EASY drive's snap-on cap.



This symbol indicates that the unit should only be opened by qualified specialists!

5. Technical specifications

Rated voltage	24 V DC - 29 V DC
Current consumption at rated load	max.3.0 A depending on version
Permitted push force	max. 4000 N depending on version
Permitted pull force	max. 3000 N depending on version
Mode of operation ¹⁾ under max. rated load.	Intermittent duty: 2 min/18 min (max. 5 switching cycles per minute)
Protection class	III
Noise level	≤ 65 dB(A)
Drive type	Single drive
Load type	Push / pull
Stroke	max. 500 mm (depending on power)
Adjustment speed ²⁾	up to 28 mm/second, depending on the version
Protection degree	max. IPX4
Dimensions and weight	
Length x width x height	min. 191 mm x 160 mm x 88 mm
Weight	approx. 1.7 kg, depending on version
Ambient conditions for operation, storage and transport	
Transport / storage temperature	from -20 °C to +50 °C from -4 °F to +122 °F
Operating temperature	from +10 °C to +40 °C from +50 °F to +104 °F
Relative humidity	from 30% to 75%
Air pressure	from 800 hPa to 1060 hPa
Height	< 2000 m

¹⁾ Mode of operation: intermittent duty = 2 min./18 min. This means that after the unit is operated with its rated load for up to two minutes it must then be paused for 18 minutes. The system can malfunction if this pause is not observed!

²⁾ Adjustment speed: the speed at which the clevis can move under no load (the speed varies depending on the load).

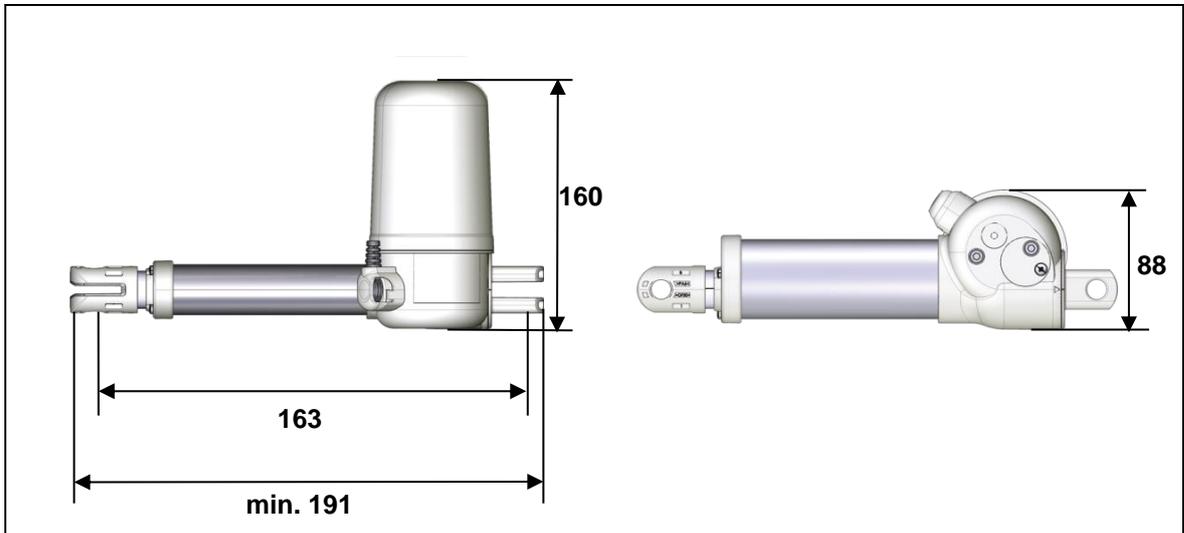


Figure 10 Dimensions of MEGAMAT MCZ (in mm), minimum installation dimensions: 163 mm

6. Installation

6.1 Safety notices to observe during installation

Basic safety rules must be followed in order to ensure that the end product can be continually operated in a safe manner. These rules must be observed while using the end product and while installing the drive.

6.1.1 Ensuring operational reliability during installation

The safety and reliability of the end product containing the DewertOkin drive can be ensured by using the proper construction methods described below.

Avoiding fatigue fractures

 CAUTION
<div style="display: flex; align-items: center;">  <div> <p>Drives that are incorrectly installed can undergo fatigue fractures which then create a risk of injury.</p> <ul style="list-style-type: none"> • Install the drive in the end product so that it is properly aligned. This will help prevent shear stress. • Do not position the drive at a slanted angle when installing it in the end product. A slanted angle between the intended direction of movement of the end product and the drive's direction will create shear stress and could lead to a fatigue fracture. • Be sure to install the drive so that it can always move freely in all operative states. • You should never screw the stroke pipe into the drive (versions with fixed nuts). </div> </div>

Avoiding a pinching hazard

 CAUTION
<div style="display: flex; align-items: center;">  <div> <p>A stroke pipe is used to provide the drive motion. When designing your end product, you should take this into account with passive safety mechanisms and with the appropriate safety notices in your operating instructions:</p> <ul style="list-style-type: none"> • Install the MEGAMAT MCZ EASY drive so that none of the positions where shear and pinch hazards exist are accessible externally.. </div> </div>

When preparing safety notices for the operator, make sure that your operating instructions inform the user of these safety points.

Avoiding an over-extension of the stroke pipe (when mounted unattached)

	<p data-bbox="395 383 592 427"> CAUTION</p> <p data-bbox="395 454 1414 577">There must be a fixed mechanical end stop built into the end product for MEGAMAT MCZ EASY drive models where the stroke pipe is not attached to the spindle screw. If no fixed mechanical end stop exists, the stroke pipe can over-extend. This can cause malfunctions, personal injury, and damage to the drive system.</p>
---	---

Avoiding an overrun of the stop point with the end product

Your end product should contain mechanical end stops. These will limit the drive movement and significantly increase operational safety. DewertOkin recommends that you build such mechanical end stops into your end product.

If, for technical or cost reasons, you choose not to use end stops, then we strongly recommend the use of an additional safety limit switch whenever the DewertOkin drive is being used for at-risk functions. A safety limit switch will protect the drive from a critical failure and overrun in the event that the top end switch malfunctions.

- ▶ The safety end switch shuts the drive down as soon as the normal end switch is passed over. The safety end switch is integrated directly into the drive and does not require any additional installation. The drive may take up an extra 23 mm when installed with the safety limit switch.

- ▶ The mechanical end stops or stroke limiters in the end product must be adjusted to fit the retracted and extended dimensions of the drive. Make sure that the drive does not reach the mechanical end stop position before it has been fully extended.

6.2 Installation procedure

6.2.1 An example installation

Before installing the drive, make sure that you are observing all of the safety notices found in the "Safety notices to observe during installation" section.

	CAUTION
The plug for the connecting cable should be unplugged during the installation.	

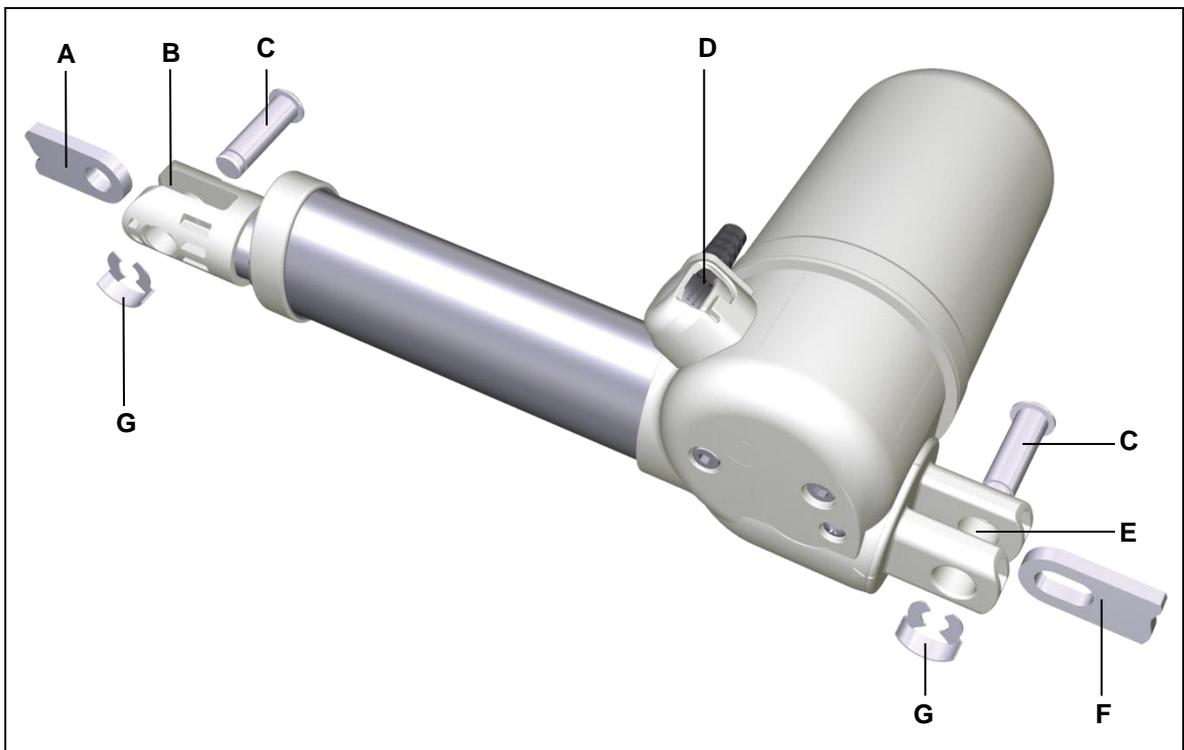


Figure 11 Installing the drive (example)

- | | |
|--|---|
| <p>A Bracket for securing the drive (on the stroke pipe side)</p> <p>C Mounting bolt</p> <p>E Gear clevis</p> <p>G Safety clip</p> | <p>B Stroke pipe clevis</p> <p>D Electrical connection / cable</p> <p>F Bracket for securing the drive (on the motor side)</p> |
|--|---|

► The fitted mounts on the end product should have elongated slots so that the installed position can be adjusted.

	NOTICE
	The support brackets for the clevises must be in alignment.

In the following example, installation of the MEGAMAT MCZ EASY drive into the end product is shown using mounting bolts.

► Certain details may change based on the variation in use and technical modifications.

- 1 Push the drive's gear clevis (E) onto the bracket (F).
- 2 Insert the mounting bolt (C) into the bracket (F).
- 3 Secure the mounting bolt (C) with the safety clip (G).

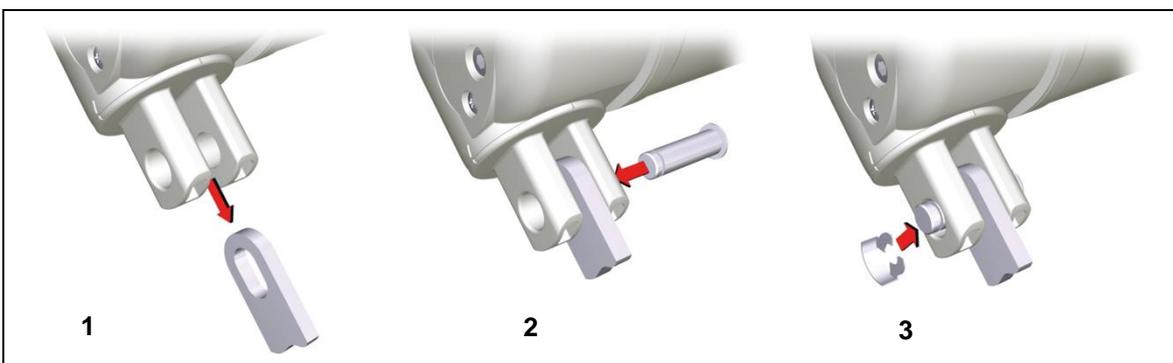


Figure 12 Steps for installing the gear clevis (example)

	 CAUTION
	Versions with fixed nuts: You should never screw the stroke pipe into the drive. A stroke pipe that has been screwed into the drive can result in fatigue fractures.

- 4 If the stroke pipe clevis/head (B) does not align exactly with the gear clevis (E), the stroke pipe may be unscrewed out of the drive by no more than a half turn.

	 CAUTION
	Versions with fixed nuts: The stroke pipe may only be turned one half rotation out of the drive. Do not rotate the stroke pipe further out. An over-rotation can lead to unsafe operations. The stroke pipe clevis must not be detached from the stroke pipe!

- 5 Attach the stroke pipe clevis (B) using a mounting bolt (C) to the mounting bracket (A).
- 6 Secure the mounting bolt (C) with the safety clip (G).
- 7 Now connect the drive to the control unit or the double drive. Ensure that the electrical connection cable (D) cannot be pulled out.

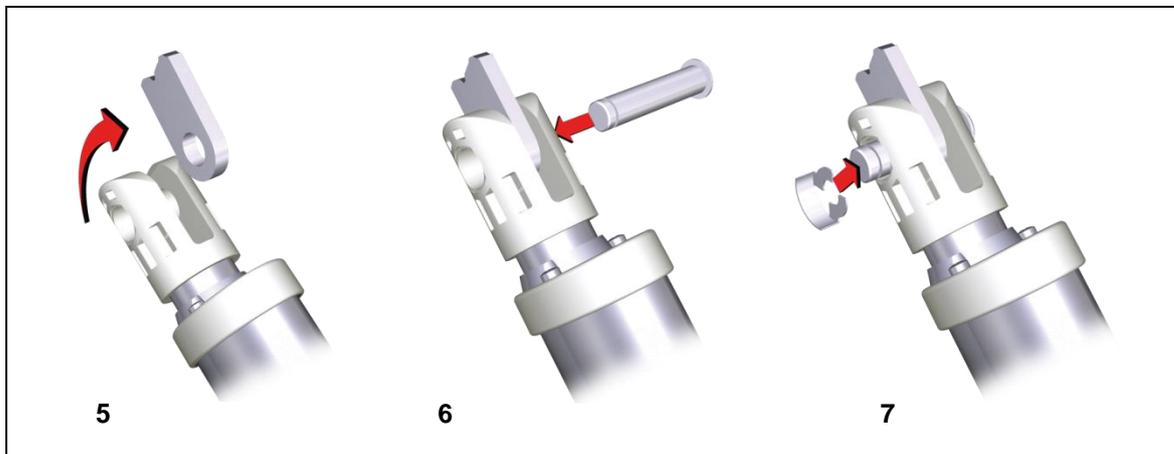


Figure 13 Steps for installing the stroke pipe clevis (example)

- If the hand switch will be used to control two drives, you must first connect both drives electrical-ly to each other (for example, over a control unit or double drive). Then you can connect the handset.

6.2.2 Attaching the MEGAMAT MCZ EASY to the ECS control unit

NOTICE	
	The installation length for the MEGAMAT MCZ EASY drive must not be less than 285 mm. The drive or drive control unit could be mechanically damaged if the installation length is shorter than this.

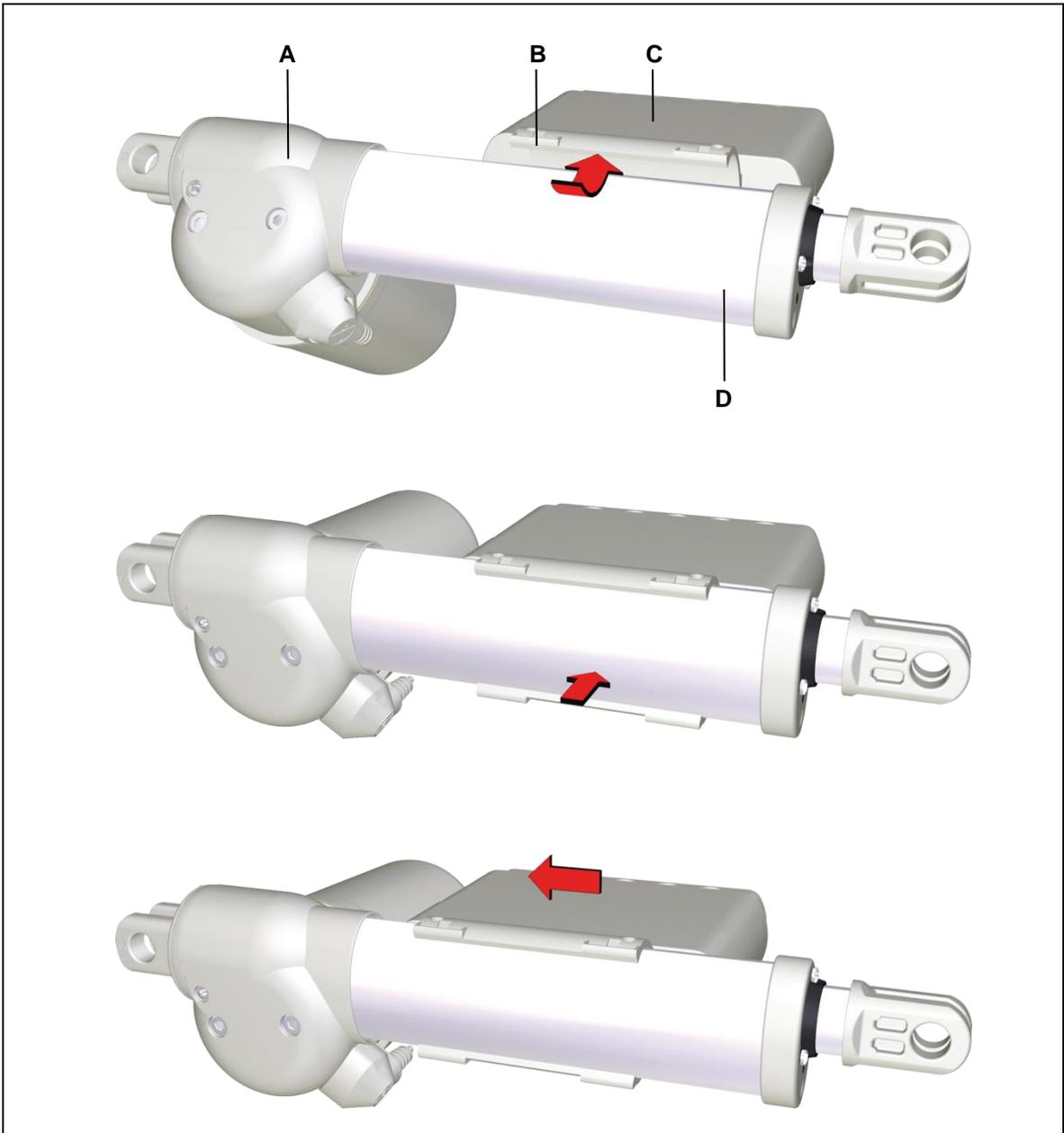


Figure 14 Attaching the MEGAMAT MCZ EASY to the ECS control unit

- | | |
|---------------------------|---|
| A MEGAMAT MCZ EASY | B Attachment to the guidance profile |
| C ECS control unit | D Guidance profile |

Two mounting clamps are used to attach the ECS control unit to the MEGAMAT MCZ EASY drive. The mounting clamps engage into the mount on the guidance profile (B).

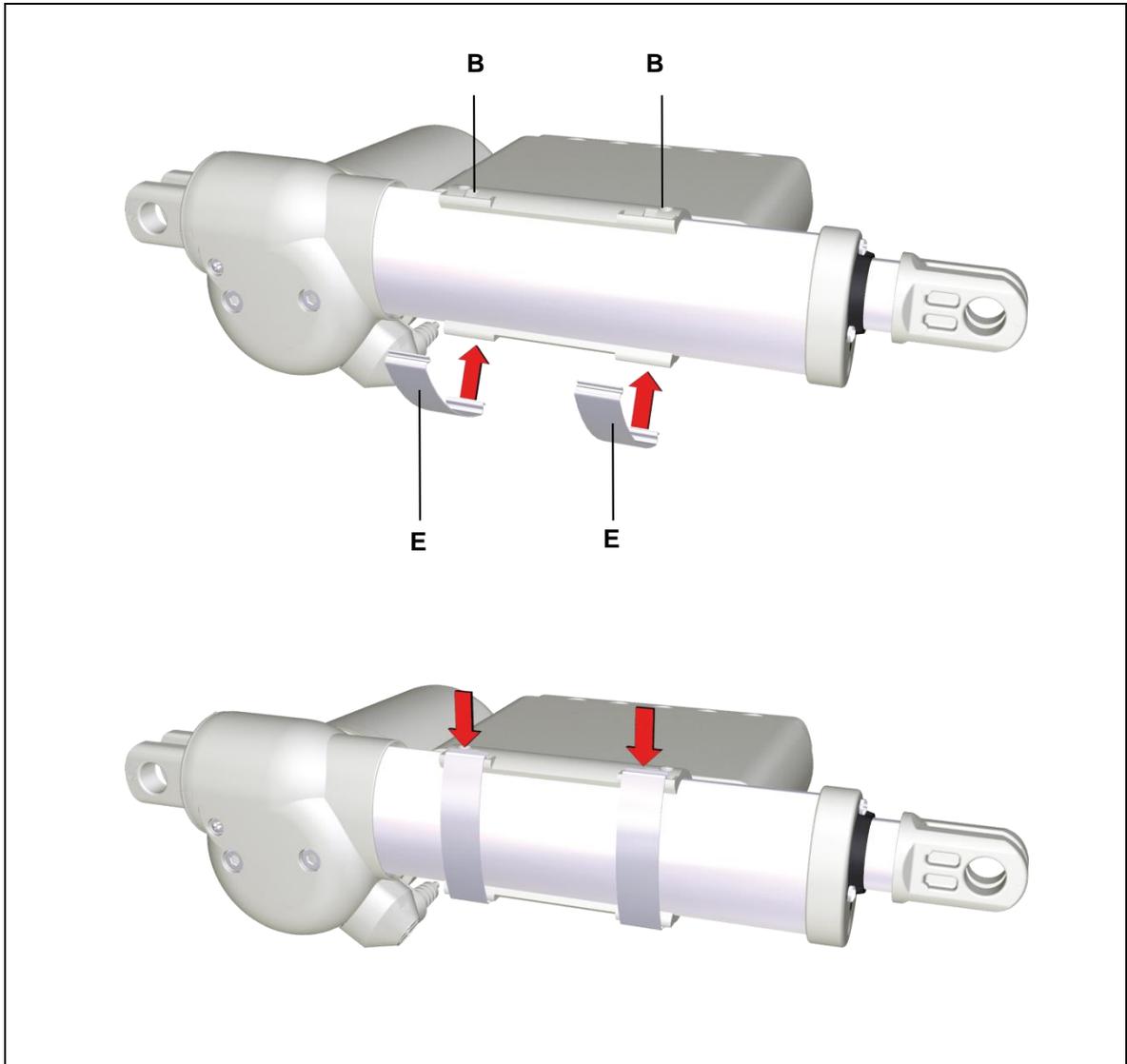


Figure 15 Attaching the mounting clamps

E Mounting clamps

6.2.3 Electrical connection

	 CAUTION
	Electrical components should be connected or disconnected only when the mains power plug and the battery plug (when present) are both unplugged.

Routing the electrical cables

When routing the cables, be sure that:

- the cables cannot get jammed,
- no mechanical load (such as pulling, pushing or bending) will be put on the cables, and
- the cables cannot be damaged in any way.

Fasten all cables (especially the mains cable) to the end product using sufficient strain relief and kink prevention methods. Be sure that the design of the end product prevents the mains cable from coming into contact with the floor during transport.

6.2.4 Drives with a fixed cap covering the electrical access

	 CAUTION
	You may not open up the electrical access connection if the electrical access is covered with a permanent cap instead of a snap-on cap.

The following symbol can be found on the MEGAMAT MCZ EASY drive's snap-on cap.



This symbol indicates that the unit should only be opened by qualified specialists!

6.2.5 Removing the drive

	 CAUTION
	Electrical components should be connected or disconnected only when the mains power plug and the battery plug (when present) are both unplugged.

	 CAUTION
	Be sure to carry out work on the drive in a position so that no loads are bearing on it. Only in this way can you be sure to avoid any risks of crushing or injury.

► Certain details may change because of technical changes.

- 1 Move your product into a position where it is supporting no load.
- 2 Remove the connecting cable from the controller or double drive.
- 3 If multiple drives are connected electrically, they should be disconnected from each other.

	NOTICE
	Be sure to support the drive's weight while you are loosening the bolt.

- 4 Remove the security clips and the mounting bolt.
- 5 Remove the drive from the end product.

7. Operating notes

The factual information contained within may be used when you are creating the end-product manual. The installation instructions do not contain all information required for the safe operation of the end product. They only describe the installation and operation of the drive as a partially assembled piece of machinery.

	 CAUTION
	<p>When creating the operating instructions, remember that the installation instructions are intended for qualified specialists and are not for typical users of the end product.</p>

7.1 General information

- ▶ Only a DewertOkin device should be used to control the drive since they have already been verified to work together.

Power-on time / intermittent operations

The MEGAMAT MCZ EASY drive has been designed for intermittent operations. Intermittent operation is an operational mode where the drive must pause after a specified maximum period of operation (power-on time). This protects the drive from overheating. Extreme overheating can cause a malfunction.

- ▶ The ratings plate specifies the maximum power-on time and the required pause intervals.

Avoiding electrical risks

	 WARNING
	<p>Make sure that all live (current-carrying) parts of the drive system and power supply cannot be touched. In particular, be sure that unused power and control unit connections are covered adequately.</p>

Avoiding cable damage

Be sure that your operating instructions inform the user about the possible cable risks.

	 CAUTION
	<p>The cables (particularly the connecting cable) should not be run over. In order to prevent injuries or drive damage, no mechanical strain should be placed on the cables.</p>

Shutting off the drive

	 CAUTION
	<p>In order to shut off the drive, unplug the mains power plug and the battery plug (when present). The power plug (of the control unit or double drive) must always be accessible during operations so that emergency shut-off is possible.</p>

7.2 Notice for operating with optional configuration

Configuration: Attached nut

	 CAUTION
	<p>You should never screw the stroke pipe into the drive. A stroke pipe that has been screwed into the drive can result in fatigue fractures.</p>

	 CAUTION
	<p>The stroke pipe may only be turned one half rotation out of the drive. Do not rotate the stroke pipe further out. An over-rotation can lead to unsafe operations. The stroke pipe clevis must not be detached from the stroke pipe!</p>

8. Troubleshooting

This chapter describes troubleshooting methods for fixing problems. If you experience an error that is not listed in this table, please contact your supplier.

	 CAUTION
	<p>Only qualified specialists who have received electrician training should carry out troubleshooting and repairs.</p>

Problem	Possible cause	Solution
Drive / control unit is not functioning.	There is no mains supply voltage.	Connect the mains power.
	Drive / control unit is defective.	Please contact your supplier or sales agent.
The drive is suddenly not capable of movement.	The overheating protection or system protection has been triggered.	Remove the overload (change or remove the load). Allow the system to rest for 20 to 30 minutes with the mains power unplugged. If this does not resolve the problem, contact your supplier or distributor.
	The unit's fuse may have been triggered.	Please contact your supplier or sales agent.
	There is no mains supply voltage.	Connect the mains power.
	A cable has been disconnected (to mains power, drive or control keypad).	Check the cables and reinsert them, if required.

9. Maintenance

- ▶ You should only use spare parts which have been manufactured or approved by DewertOkin. Only these parts will guarantee a sufficient level of safety.

9.1 Maintenance

Type of check	Explanation	Time interval
Check the function and safety of the electrical system.	A qualified electrician should carry out this inspection. (Refer to the "Electrical connection" section in the "Installation" Chapter.)	Periodic inspections can be carried out at intervals based on the risk assessment which you conduct for your end product.
Look over the housing periodically for any signs of damage.	Check the housing for breaks or cracks. The IP-class protection will be impaired by any breakage or cracks.	At least every six months.
Look over the plug-in connections and electrical access points for signs of damage.	Check that all electrical cables and connections are firmly seated and correctly positioned.	At least every six months.
Look over the cables for any signs of damage.	Check the connecting cables for pinching or shearing. Also check the strain relief and kink protections mechanisms, in particular after any mechanical load.	At least every six months.
Periodic functional test of the end switches.	Move the drive to the end positions in order to test the end switches.	At least every six months.

9.2 Cleaning and care

The MEGAMAT MCZ EASY drive was designed so that it would be easy to clean. Its smooth surfaces simplify the cleaning process.

	NOTICE
	Never clean the drive in an automated washing system or with a high-pressure cleaner. Do not allow fluids to penetrate the drive. Damage to the system could result.

- 1 Always disconnect the mains power plug of the control unit or double drive (and the battery plug if present) before you start to clean the unit!
- 2 Clean the MEGAMAT MCZ EASY drive using a moist cloth while it is in its retracted position.
- 3 Make sure that you do not damage the drive's connecting cable.

	NOTICE
	Do not use a cleanser that contains benzene, alcohol or similar solvents.

10. Disposal

10.1 Packaging material

The packaging material should be sorted into recyclable components and then disposed of in accordance with the appropriate national environmental regulations (in Germany according to the recycling law KrWG from 01.06.2012; internationally according to the EU Directive 2008/98/EC (Waste Framework Directive WFD as of 12.12.2008)).

10.2 Drive components

The MEGAMAT MCZ EASYdrive consists of electronic components, cables and metal and plastic parts. You should observe all corresponding national and regional environmental regulations when disposing of the MEGAMAT MCZ EASY drive.

The disposal of the end product is regulated in Germany by Elektro-G, internationally by the EU Directive 2011/65/EC (RoHS), or by any applicable national laws and regulations. (The end product is not regulated by the EU Directive 2012/19/EC (WEEE).)



The MEGAMAT MCZ EASY drive should not be disposed of with normal household waste!

Declaration of incorporation/installation

According to Appendix II of the EU Machinery Directive 2006/42/EC

The manufacturer:

DewertOkin GmbH

Weststraße 1

32278 Kirchlengern, Germany

declares that the incomplete machine:

MEGAMAT MCZ EASY, MEGAMAT MC(n)¹⁾ EASY

comply with the following basic requirements of the Machinery Directive (2006/42/EC):

Sections: 1.1.3; 1.3.3; 1.3.4; 1.3.7; 1.5.1; 1.5.2; 1.5.5; 1.5.6; 1.5.7; 1.5.8;
1.5.9; 1.5.10; 1.5.13; 1.6.3

You may only operate this machine after you have confirmed that the end product (into which this device will be installed) complies with the Machinery Directive 2006/42/EC.

On request, the manufacturer is obliged to send the special documentation accompanying the partially completed machinery electronically to the appropriate national institution. The special technical documents corresponding to the machine have been created according to Appendix VII, part B.

The following person is responsible for the technical documentation: Hartmut Klimm,

Address cited above.

Phone: 05223 979150

Kirchlengern, Germany. The 05th of March 2015



Dr.-Ing. Josef G. Groß
Managing Director

¹⁾ Where (n) represents 1 – 5

EC Declaration of Conformity

In compliance with Appendix IV of the EU EMC Directive 2004/108/EC

In compliance with Appendix III of the EU Low Voltage Directive 2006/95/EC

In compliance with Appendix V of the RoHS Directive 2011/65/EU

The manufacturer:

DewertOkin GmbH

Weststraße 1

32278 Kirchlengern, Germany

declares that the following product

MEGAMAT MCZ EASY with DewertOkin control unit
MEGAMAT MC(n)¹ EASY with DewertOkin- control unit

meets the requirements of the following EU directives:

Electromagnetic Compatibility Directive 2004/108/EC

Low Voltage Directive 2006/95/EC

RoHS Directive 2011/65/EU of the European Parliament and of the Council of 8 June 2011 on the restriction of certain hazardous substances in electrical and electronic equipment

Applied standards:

- EN 60335-1:2012
- EN 55014-1/A2:2011
- EN 55014-2/A2:2008
- EN 61000-3-2/A2:2009
- EN 61000-3-3:2008
- EN 60529/A2:2013
- EN 62233:2008

This declaration of conformity is no longer valid if constructional changes are made which significantly change the product (i.e., which influence the technical specifications found in the instructions or the intended use)!

Kirchlengern, Germany. The 05th of March 2015



Dr.-Ing. Josef G. Groß
Managing Director

¹⁾ Where (n) represents 1 – 5

Additional information

MEGAMAT MCZ EASY drive system

The following standards have been applied for version with IPX4 and higher: according to EN 60601-1, 3rd edition; IEC 60601-1, 3rd edition; EN 60601-2-52 and IEC 60601-2-52, Medical electrical equipment (Label: **3E** refer to the ratings plate):

IEC/EN60601-1, Section 4	General requirements
IEC/EN60601-1, Section 6	Classification
IEC/EN60601-1, Section 7.1	Labelling – general
IEC/EN60601-1, Section 7.2	Labelling – inscriptions
IEC/EN60601-1, Section 8	Protection against electrical danger
IEC/EN60601-1, Section 11.1	Overheating protection
IEC/EN60601-1, Section 11.2	Fire prevention
IEC/EN60601-1, Section 11.3	Design requirements for fire-resistant housing
IEC/EN60601-1, Section 13	Dangerous situations and error conditions
IEC/EN60601-1, Section 16.6	Leakage current
IEC/EN60601-1, Section 17	Electromagnetic compatibility
IEC/EN60601-2-52, Section 201.11.6.5.101	Protection against water ingress: only applied for at least IPX4
IEC/EN60601-2-52, Section 201.9.8.3.2	Static load

DewertOkin GmbH
Weststraße 1
32278 Kirchlengern, Germany
Phone: +49 (0)5223/979-0
Fax: +49 (0)5223/75182
<http://www.dewertokin.de>
Info@dewertokin.de

ID-Nr.: 81419